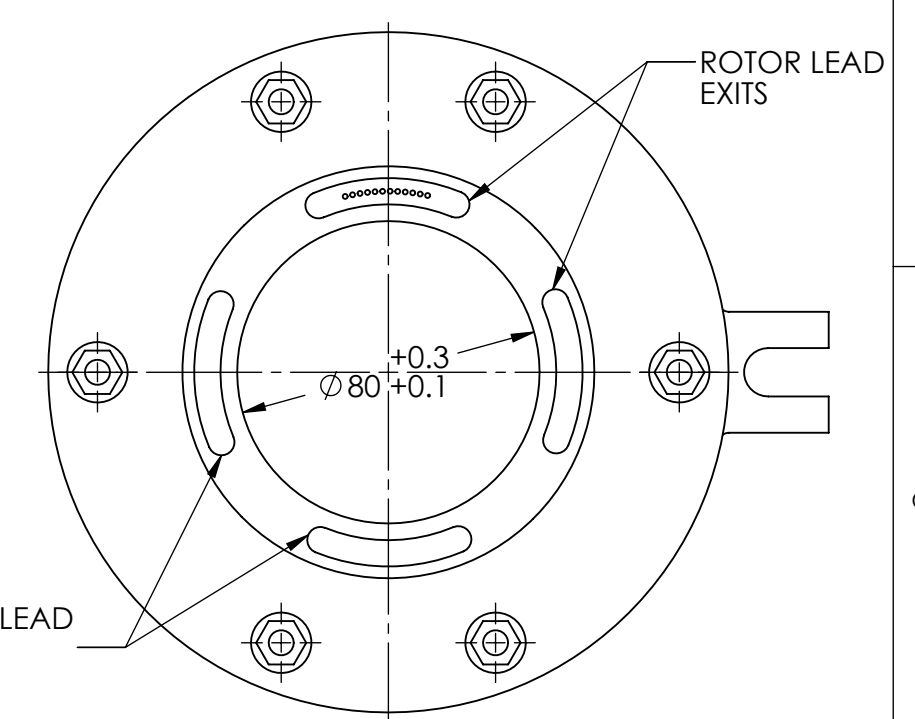
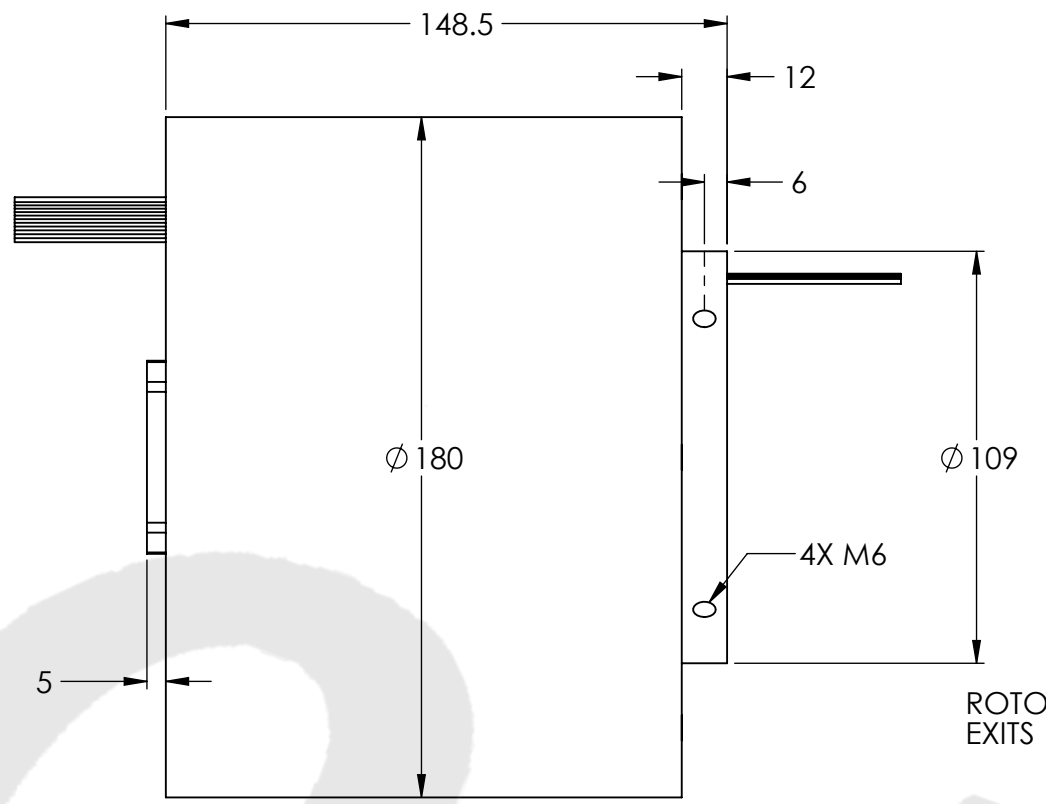
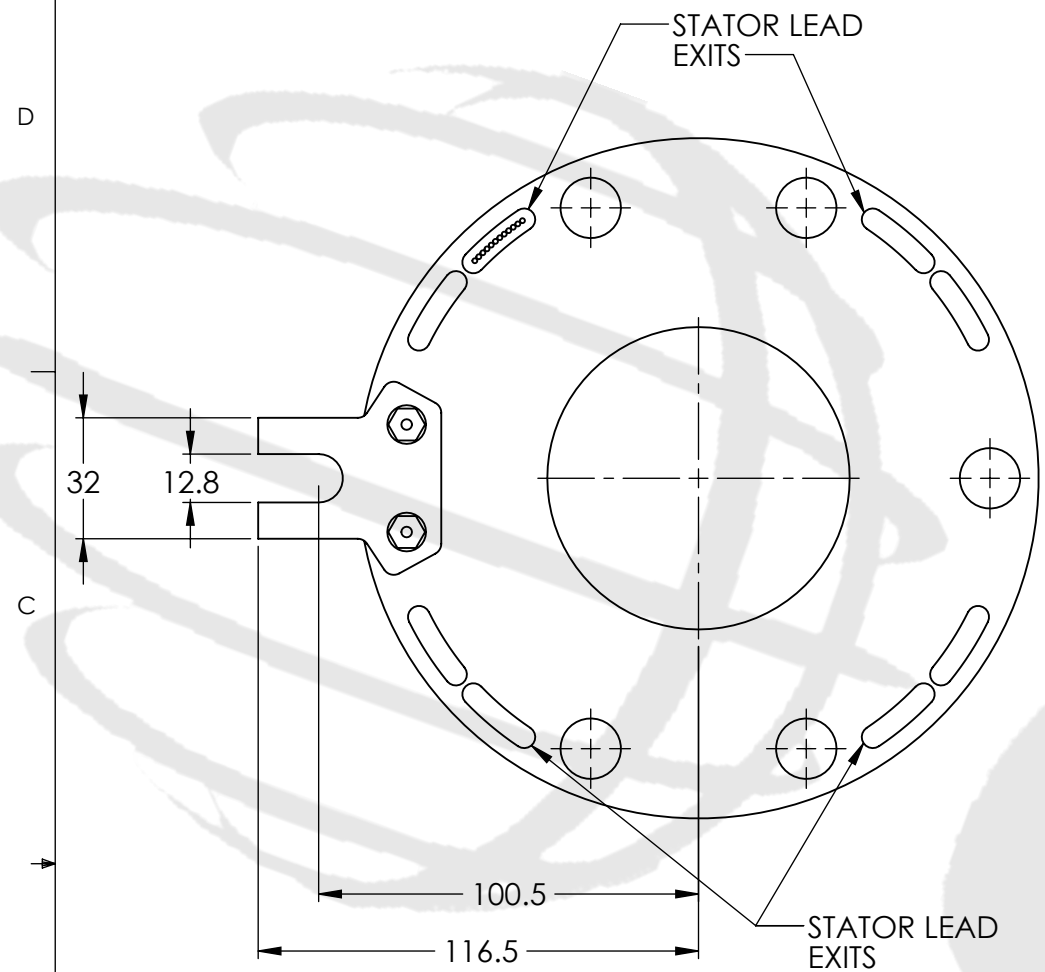


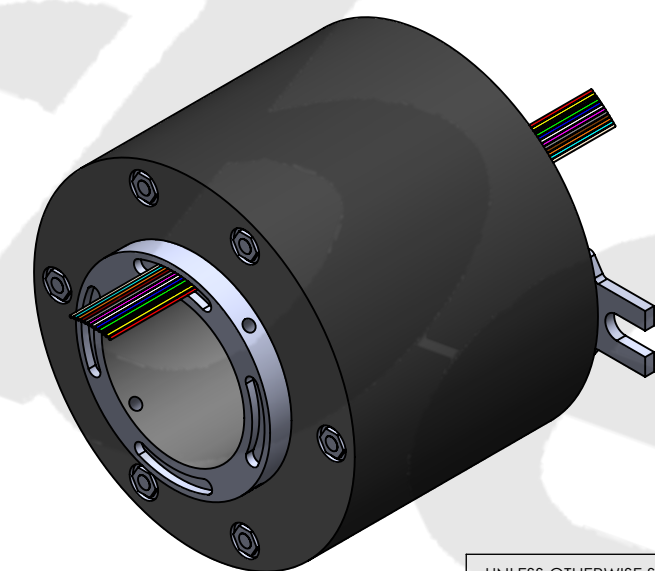
| REVISIONS | | | | |
|-----------|------|----------------------|----------|----------|
| ZONE | REV. | DESCRIPTION | DATE | APPROVED |
| | 1 | Customer Information | 1/1/2014 | WRH |



ROTOR AND STATOR LEADS FOR VISUALIZATION ONLY. TRUE NUMBERS, ORIENTATION, SIZE, LOCATION, AND COLORS CAN VARY BASED ON SPECIFICATIONS. ROTOR AND STATOR EXIT POINTS NOTED.

| TECHNICAL DATA | |
|----------------------------|--|
| NUMBER OF CIRCUITS | 24 SIGNAL, 6 POWER CIRCUITS |
| RATED VOLTAGE | 380 VAC (POWER)/240 VAC/VDC (SIGNAL) |
| DIELECTRIC STRENGTH | 500VAC@50Hz,60s |
| RATED CURRENT | 2A/RING (SIGNAL), 10A, 15A, OR 20A/RING (POWER) |
| NOMINAL SPEED | 0-500 RPM |
| INSULATION RESISTANCE | ≥1000 MΩ/500VDC (SIGNAL), ≥500 MΩ/500VDC (POWER) |
| DYNAMIC CONTACT RESISTANCE | <10 mΩ |
| CONTACT MATERIAL SURFACE | PRECIOUS METALS |
| LEAD | 22 AWG SILVER PLATED AND 16 AWG TINNED, COLOR CODED, PTFE INSULATED LEAD WIRES |
| STANDARD LEAD LENGTH | 500mm |
| TEMPERATURE | -20°C to + 80°C |
| BEARINGS | MINIATURE, PRECISION STEEL BEARINGS |
| HOUSING | ABS PLASTIC |
| PROTECTION | IP51 |

| WIRE COLOR CODE | |
|-----------------------------|---------------|
| 22 AWG (24 SIGNAL CIRCUITS) | |
| 1/13. RED | 2/14. YELLOW |
| 3/15. BLACK | 4/16. BLUE |
| 5/17. GREEN | 6/18. WHITE |
| 7/19. PURPLE | 8/20. GRAY |
| 9/21. BROWN | 10/22. ORANGE |
| 11/23. DARK BLUE | 12/24. KHAKI |
| 16 AWG (6 POWER CIRCUITS) | |
| 1. RED | 2. YELLOW |
| 3. BLACK | 4. BLUE |
| 5. GREEN | 6. WHITE |



| | | |
|---|-----------|----------|
| UNLESS OTHERWISE SPECIFIED: | | |
| DRAWING SYMBOLS & TOLERANCES PER ANSI Y14.5 | | |
| DIMENSIONS ARE METRIC | | |
| TOLERANCES: | | |
| DECIMALS | LINEAR | ANGULAR |
| .X | ±0.2 | ±0.5DEG |
| .XX | ±0.02 | ±0.2DEG |
| .XXX | ±0.005 | ±0.01DEG |
| INTERPRET GEOMETRIC TOLERANCING PER: ANSI Y14.5 | | |
| MATERIAL | SEE CHART | |
| FINISH | CLEAN | |
| DRAWN | MRJ | 1/6/2014 |

Orbex Group

TITLE: Slip Ring

SIZE: **B** PRT. NO. **580-2406** REV **CI**

SCALE: 1:2 SHEET 1 OF 1

THIS DRAWING CONTAINS PROPRIETARY INFORMATION OF THE ORBEX GROUP AND MAY NOT BE IN WHOLE OR IN PART DUPLICATED OR DISCLOSED OR USED FOR MANUFACTURE OF ANY PART DISCLOSED HEREIN WITHOUT WRITTEN PERMISSION OF THE ORBEX GROUP.

CONFIDENTIAL