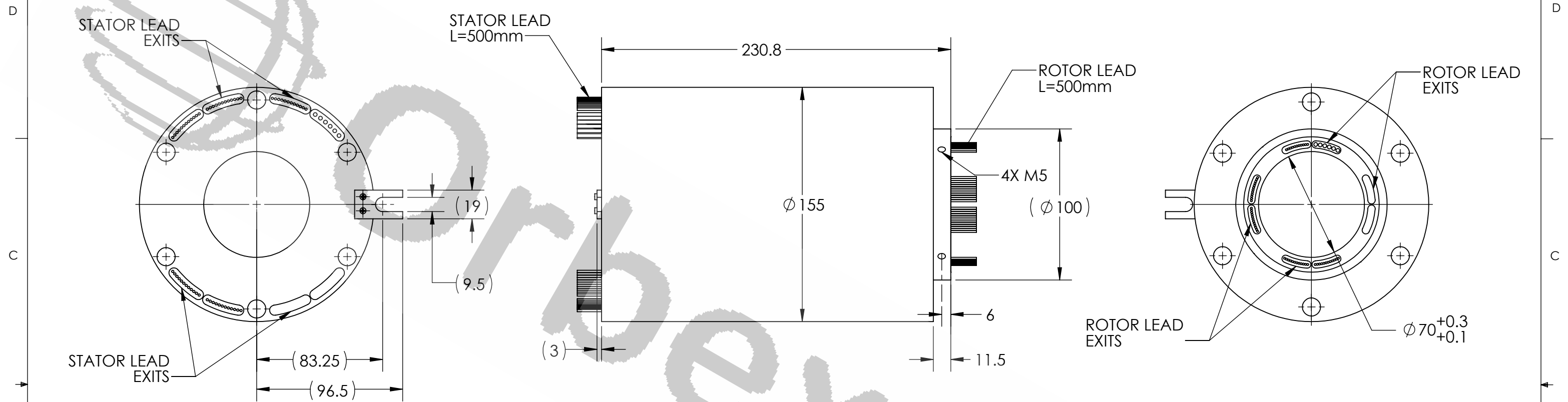


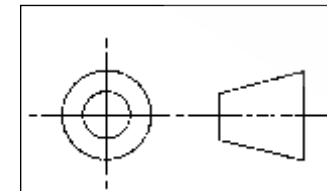
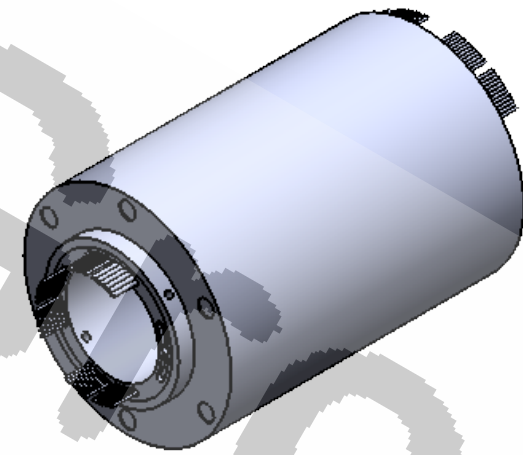
| REVISIONS | | | | |
|-----------|------|------------------------|------------|----------|
| ZONE | REV. | DESCRIPTION | DATE | APPROVED |
| | A | CUSTOMER INFORMATIONAL | 01/14/2019 | RA |



NOTE: X IN PART NUMBER IS A PLACE HOLDER FOR POWER CURRENT OPTION. A= 10 A/CIRCUIT AWG 16, B=15 A/CIRCUIT AWG 14, and C=20 A/CIRCUIT AWG12.

| TECHNICAL DATA | |
|----------------------------|---|
| NUMBER OF CIRCUITS | 60 SIGNAL/6 POWER |
| RATED VOLTAGE | 460 VAC (POWER)/240 VAC/VDC (SIGNAL) |
| DIELECTRIC STRENGTH | 500VAC@50Hz, 60s |
| RATED CURRENT(POWER) | A=10A, B=15A, C=20A |
| RATED CURRENT(SIGNAL) | 5A |
| NOMINAL SPEED | 250RPM |
| INSULATION RESISTANCE | >500MΩ/500VDC |
| DYNAMIC CONTACT RESISTANCE | <10 mΩ |
| LEADS | TEFLON |
| LEAD LENGTH | 500mm |
| TEMPERATURE | -20 °C to + 80 °C |
| BEARINGS | STAINLESS STEEL BALL BEARING |
| HOUSING | ALUMINUM(BLACK ANODIZED) AND ENGINEERED PLASTIC |
| PROTECTION | IP65 |

| WIRE COLOR CODE | |
|-----------------------------|------------------------|
| 22 AWG (60 SIGNAL CIRCUITS) | |
| 1/13/25/37/49. RED | 2/14/26/38/50. YELLOW |
| 3/15/27/39/51. BLACK | 4/16/28/40/52. BLUE |
| 5/17/29/41/53. GREEN | 6/18/30/42/54. WHITE |
| 7/19/31/43/55. PURPLE | 8/20/32/44/56. GRAY |
| 9/21/33/45/57. BROWN | 10/22/34/46/58. ORANGE |
| 11/23/35/47/59. DARK BLUE | 12/24/36/48/60. KHAKI |
| (6 POWER CIRCUITS) | |
| 1. RED | 2. YELLOW |
| 3. BLACK | 4. BLUE |
| 5. GREEN | 6. WHITE |



THIS DRAWING CONTAINS PROPRIETARY INFORMATION OF THE ORBEX GROUP AND MAY NOT BE IN WHOLE OR IN PART DUPLICATED OR DISCLOSED OR USED FOR MANUFACTURE OF ANY PART DISCLOSED HEREIN WITHOUT WRITTEN PERMISSION OF THE ORBEX GROUP.
CONFIDENTIAL

| |
|---|
| UNLESS OTHERWISE SPECIFIED: ANGLE: ±0.5° |
| LINEAR DIMENSION: |
| 0.5-6 ±0.1 |
| >6-30 ±0.2 |
| >30-120 ±0.3 |
| >120-400 ±0.5 |
| >400-1000 ±0.8 |
| >1000-2000 ±1.2 |
| >2000-4000 ±2 |
| MATERIAL SEE CHART |
| FINISH CLEAN |
| DRAWN Sun KPO 01/14/2019 |

Orbex Group

TITLE: **SLIP RING**

SIZE **B** PRT. NO. **570-6006X** REV **A**

SCALE: NTS SHEET 1 OF 1