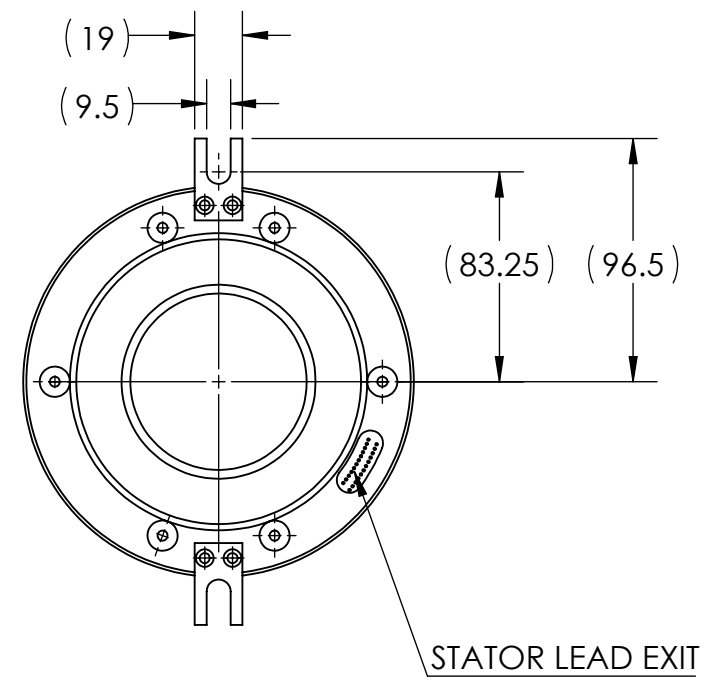
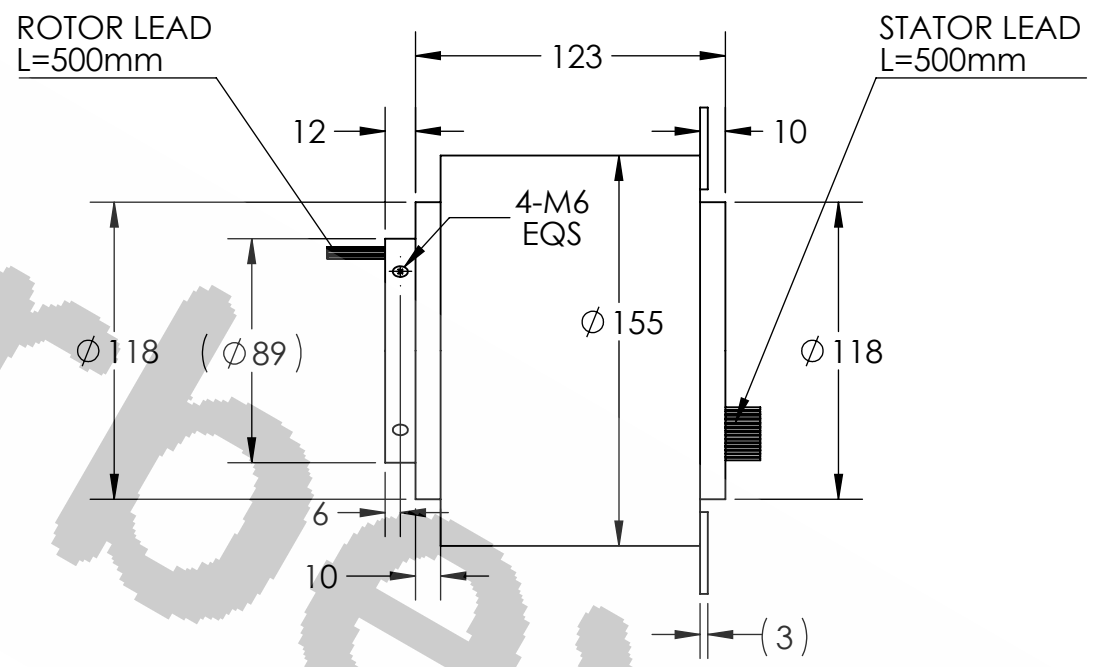
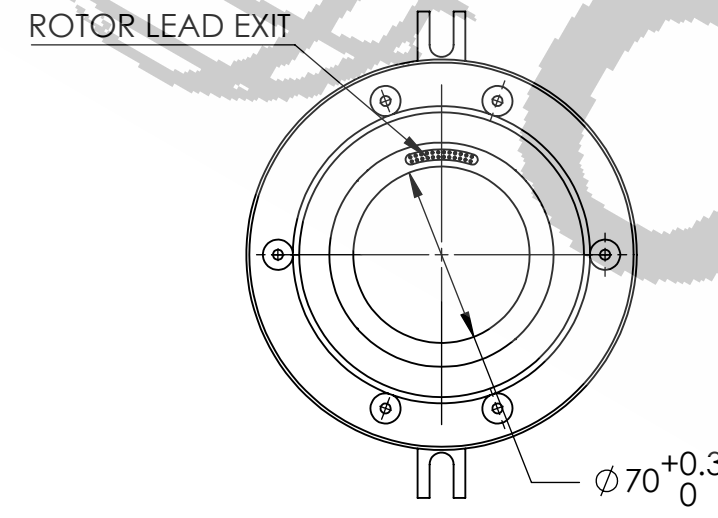


REVISIONS				
ZONE	REV.	DESCRIPTION	DATE	APPROVED
	A	CUSTOMER INFORMATIONAL	01/17/2019	RA

D
C
B
A

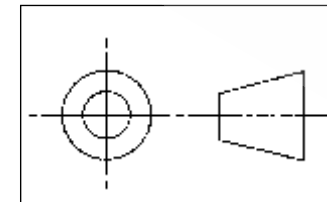
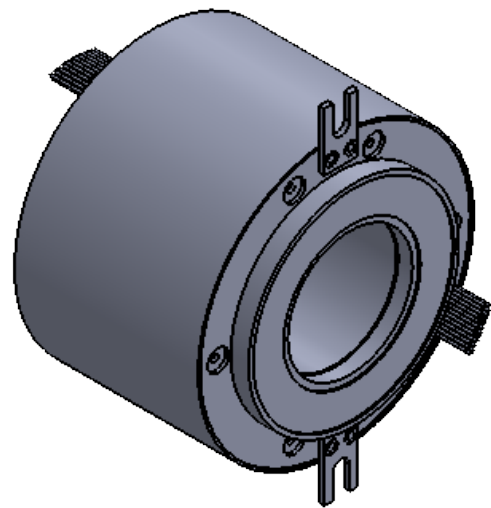
D
C
B
A



ROTOR STATOR

WIRE COLOR CODE	
1/13. RED	2/14. YELLOW
3/15. BLACK	4/16. BLUE
5/17. GREEN	6/18. WHITE
7/19. PURPLE	8/20. GRAY
9/21. BROWN	10/22. ORANGE
11/23. DARK BLUE	12/24. KHAKI

TECHNICAL DATA	
NUMBER OF CIRCUITS	24 SIGNAL
RATED VOLTAGE	240 VAC/VDC
DIELECTRIC STRENGTH	500VAC@50Hz,60s
RATED CURRENT	5A
NOMINAL SPEED	250 RPM
INSULATION RESISTANCE	$\geq 500 \text{ M}\Omega/500\text{VDC}$
DYNAMIC CONTACT RESISTANCE	$< 10 \text{ m}\Omega$
LEAD	TEFLON
LEAD LENGTH	500mm
TEMPERATURE	-20°C to + 80°C
BEARINGS	STAINLESS STEEL BALL BEARINGS
HOUSING	ALUMINIUM (BLACK ANODIZED) AND ENGINEERED PLASTIC
PROTECTION	IP65



UNLESS OTHERWISE SPECIFIED: ANGLE: $\pm 0.5^\circ$	
LINEAR DIMENSION:	
0.5-6	± 0.1
$>6-30$	± 0.2
$>30-120$	± 0.3
$>120-400$	± 0.5
$>400-1000$	± 0.8
$>1000-2000$	± 1.2
$>2000-4000$	± 2

THIS DRAWING CONTAINS PROPRIETARY INFORMATION OF THE ORBEX GROUP AND MAY NOT BE IN WHOLE OR IN PART DUPLICATED OR DISCLOSED OR USED FOR MANUFACTURE OF ANY PART DISCLOSED HEREIN WITHOUT WRITTEN PERMISSION OF THE ORBEX GROUP.

CONFIDENTIAL

MATERIAL	SEE CHART
FINISH	CLEAN
DRAWN	Sun KPO 01/17/2019



TITLE:

SLIP RING

SIZE	PRT. NO.	REV
B	570-2400-F	A

SCALE: NTS SHEET 1 OF 1

8 7 6 5 4 3 2 1