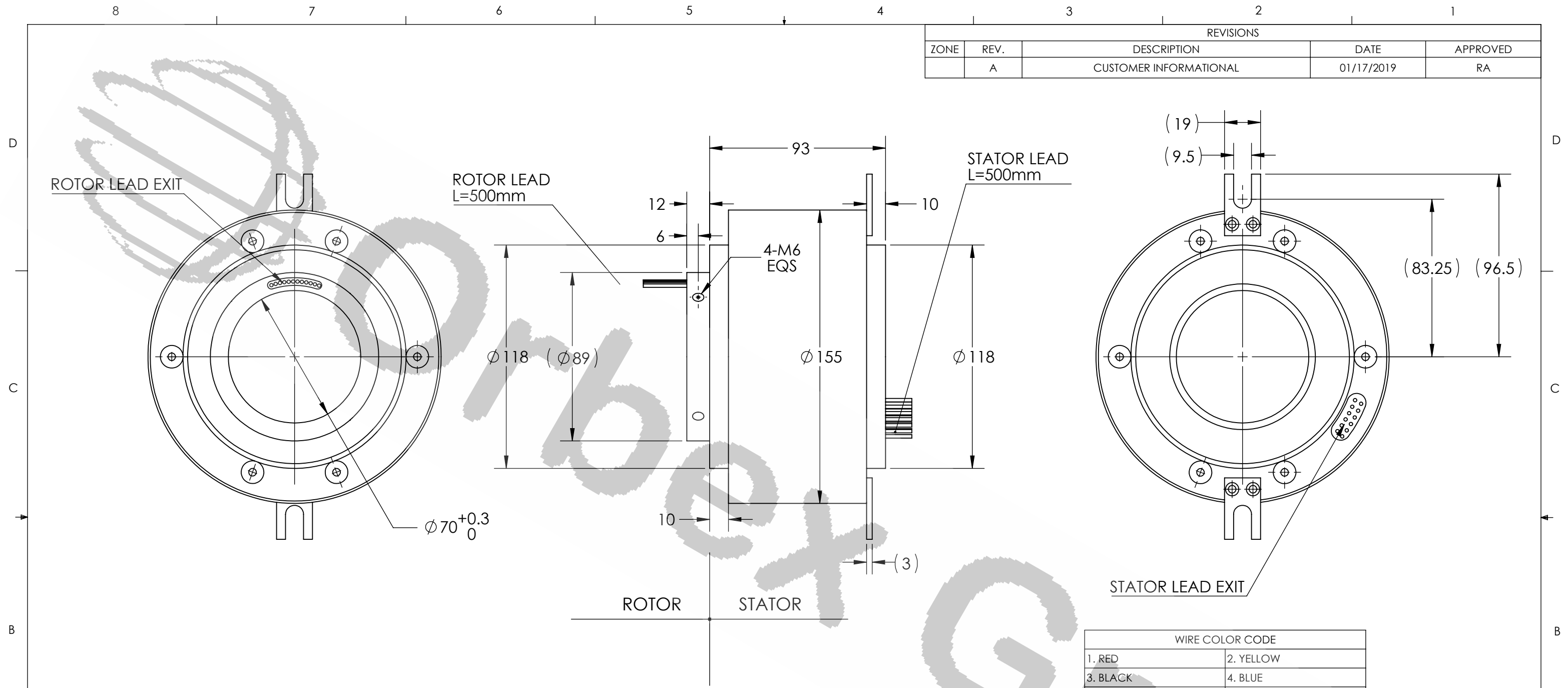
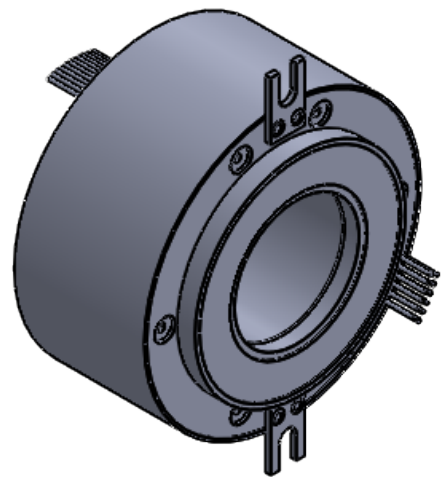


REVISIONS				
ZONE	REV.	DESCRIPTION	DATE	APPROVED
	A	CUSTOMER INFORMATIONAL	01/17/2019	RA



TECHNICAL DATA	
NUMBER OF CIRCUITS	12 SIGNAL
RATED VOLTAGE	240 VAC/VDC
DIELECTRIC STRENGTH	500VAC@50Hz,60s
RATED CURRENT	5A
NOMINAL SPEED	250 RPM
INSULATION RESISTANCE	$\geq 500 \text{ M}\Omega/500\text{VDC}$
DYNAMIC CONTACT RESISTANCE	$< 10 \text{ m}\Omega$
LEAD	TEFLON
LEAD LENGTH	500mm
TEMPERATURE	-20°C to $+80^\circ\text{C}$
BEARINGS	STAINLESS STEEL BALL BEARINGS
HOUSING	ALUMINIUM (BLACK ANODIZED) AND ENGINEERED PLASTIC
PROTECTION	IP65



WIRE COLOR CODE	
1. RED	2. YELLOW
3. BLACK	4. BLUE
5. GREEN	6. WHITE
7. PURPLE	8. GRAY
9. BROWN	10. ORANGE
11. DARK BLUE	12. KHAKI

UNLESS OTHERWISE SPECIFIED:
ANGLE: $\pm 0.5^\circ$

LINEAR DIMENSION:	
0.5-6	± 0.1
$> 6-30$	± 0.2
$> 30-120$	± 0.3
$> 120-400$	± 0.5
$> 400-1000$	± 0.8
$> 1000-2000$	± 1.2
$> 2000-4000$	± 2

MATERIAL: SEE CHART
FINISH: CLEAN
DRAWN: Sun KPO 01/17/2019

CONFIDENTIAL

Orbex Group

TITLE: **SLIP RING**

SIZE: **B** PRT. NO.: **570-1200-F** REV: **A**

SCALE: NTS SHEET 1 OF 1