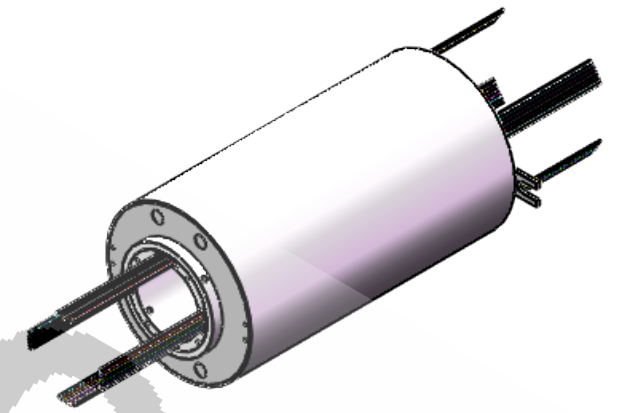
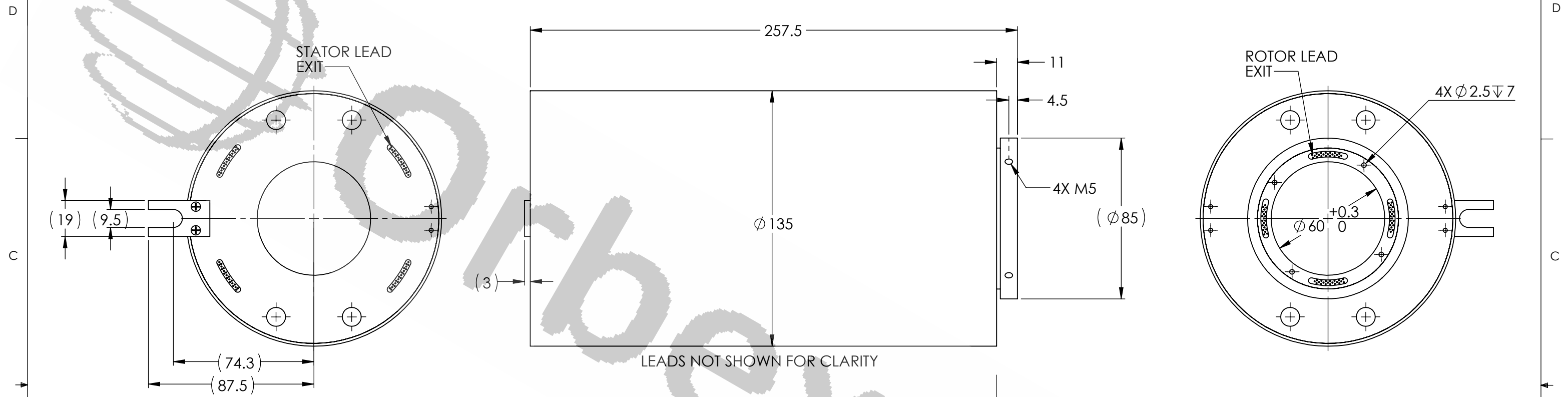
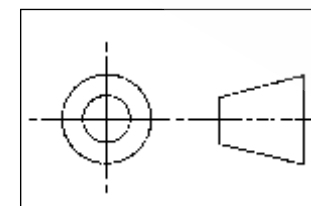


REVISIONS				
ZONE	REV.	DESCRIPTION	DATE	APPROVED
	A	CUSTOMER INFORMATIONAL	01/09/2019	RA



TECHNICAL DATA	
NUMBER OF CIRCUITS	84
RATED VOLTAGE	240 VAC
DIELECTRIC STRENGTH	500VAC@50Hz, 60s
RATED CURRENT(SIGNAL)	5A
NOMINAL SPEED	250RPM
INSULATION RESISTANCE	>500 M Ω /500VDC
DYNAMIC CONTACT RESISTANCE	<10 m Ω
LEADS	TEFLON
LEAD LENGTH	500mm
TEMPERATURE	-20°C to + 80°C
BEARINGS	STAINLESS STEEL BALL BEARING
HOUSING	ENGINEERED PLASTIC
PROTECTION	IP51

WIRE COLOR CODE	
1/13/25/37/49/61/73. RED	2/14/26/38/50/62/74. YELLOW
3/15/27/39/51/63/75. BLACK	4/16/28/40/52/64/76. BLUE
5/17/29/41/53/65/77. GREEN	6/18/30/42/54/66/78. WHITE
7/19/31/43/55/67/79. PURPLE	8/20/32/44/56/68/80. GRAY
9/21/33/45/57/69/81. BROWN	10/22/34/46/58/70/82. ORANGE
11/23/35/47/59/71/83. DARK BLUE	12/24/36/48/60/72/84. KHAKI



THIS DRAWING CONTAINS PROPRIETARY INFORMATION OF THE ORBEX GROUP AND MAY NOT BE IN WHOLE OR IN PART DUPLICATED OR DISCLOSED OR USED FOR MANUFACTURE OF ANY PART DISCLOSED HEREIN WITHOUT WRITTEN PERMISSION OF THE ORBEX GROUP.

CONFIDENTIAL

UNLESS OTHERWISE SPECIFIED: ANGLE: $\pm 0.5^\circ$	
LINEAR DIMENSION:	
0.5-6	± 0.1
>6-30	± 0.2
>30-120	± 0.3
>120-400	± 0.5
>400-1000	± 0.8
>1000-2000	± 1.2
>2000-4000	± 2
MATERIAL	SEE CHART
FINISH	CLEAN
DRAWN	Sun KPO 09/01/2019

Orbex Group

TITLE: **SLIP RING**

SIZE	PRT. NO.	REV
B	560-8400	A

SCALE: NTS

SHEET 1 OF 1