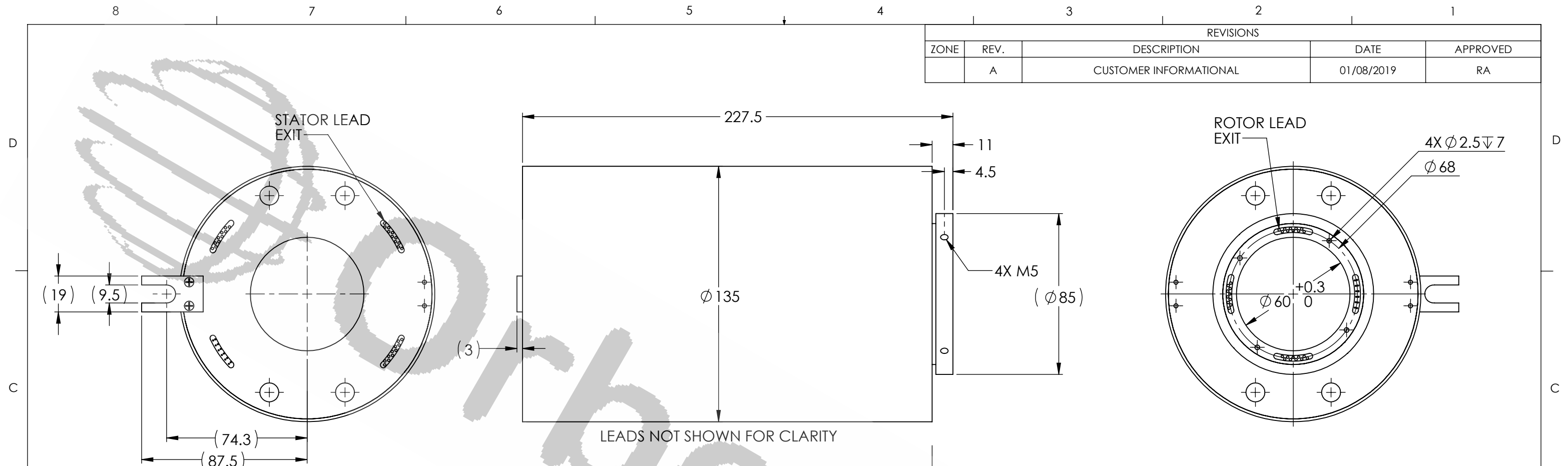


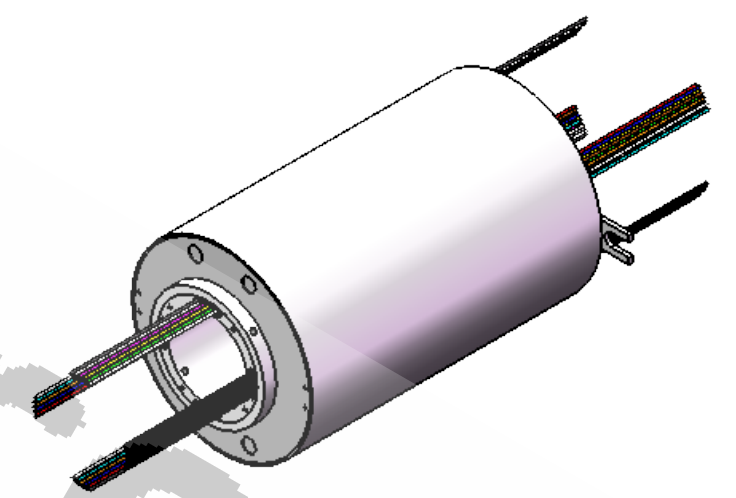
| REVISIONS |      |                        |            |          |
|-----------|------|------------------------|------------|----------|
| ZONE      | REV. | DESCRIPTION            | DATE       | APPROVED |
|           | A    | CUSTOMER INFORMATIONAL | 01/08/2019 | RA       |



NOTE: X IN PART NUMBER IS A PLACE HOLDER FOR POWER CURRENT OPTION. A= 10 A/CIRCUIT AWG 16, B=15 A/CIRCUIT AWG 14, and C=20 A/CIRCUIT AWG12.

| TECHNICAL DATA             |                                    |
|----------------------------|------------------------------------|
| NUMBER OF CIRCUITS         | 12 SIGNAL/ 30 POWER                |
| RATED VOLTAGE              | POWER: 460 VAC, SIGNAL:240 VAC/VDC |
| DIELECTRIC STRENGTH        | 500VAC@50Hz,60s                    |
| RATED CURRENT(POWER)       | A= 10 A, B=15 A, C=20 A            |
| RATED CURRENT(SIGNAL)      | 5A                                 |
| NOMINAL SPEED              | 250 RPM                            |
| INSULATION RESISTANCE      | >500 MΩ/500 VDC                    |
| DYNAMIC CONTACT RESISTANCE | <10 mΩ                             |
| LEADS                      | TEFLON                             |
| LEAD LENGTH                | 500mm                              |
| TEMPERATURE                | -20°C to + 80°C                    |
| BEARINGS                   | STAINLESS STEEL BALL BEARING       |
| HOUSING                    | ENGINEERED PLASTIC                 |
| PROTECTION                 | IP51                               |

| WIRE COLOR CODE            |                 |
|----------------------------|-----------------|
| 16 AWG (30 POWER CIRCUITS) |                 |
| 1/13/25. RED               | 2/14/26. YELLOW |
| 3/15/27. BLACK             | 4/16/28. BLUE   |
| 5/17/29. GREEN             | 6/18/30. WHITE  |
| 7/19. PURPLE               | 8/20. GRAY      |
| 9/21. BROWN                | 10/22. ORANGE   |
| 11/23. DARK BLUE           | 12/24. KHAKI    |
| (12 SIGNAL CIRCUITS)       |                 |
| 1. RED                     | 2. YELLOW       |
| 3. BLACK                   | 4. BLUE         |
| 5. GREEN                   | 6. WHITE        |
| 7. PURPLE                  | 8. GRAY         |
| 9. BROWN                   | 10. ORANGE      |
| 11. DARK BLUE              | 12. KHAKI       |



|                 |   |                          |           |              |          |
|-----------------|---|--------------------------|-----------|--------------|----------|
|                 | UNLESS OTHERWISE SPECIFIED:<br>ANGLE: ±0.5° |                          | TITLE:    |              |          |
|                 | LINEAR DIMENSION:                           |                          | SLIP RING |              |          |
|                 | 0.5-6 ±0.1                                  |                          | SIZE      | PRT. NO.     | REV      |
|                 | >6-30 ±0.2                                  |                          | <b>B</b>  | 560-1230X    | <b>A</b> |
| >30-120 ±0.3    | MATERIAL                                    | SCALE: NTS               |           | SHEET 1 OF 1 |          |
| >120-400 ±0.5   | SEE CHART                                   | DRAWN Sun KPO 01/08/2019 |           |              |          |
| >400-1000 ±0.8  | FINISH CLEAN                                | CONFIDENTIAL             |           |              |          |
| >1000-2000 ±1.2 | DRAWN                                       |                          |           |              |          |
| >2000-4000 ±2   |   |                          |           |              |          |