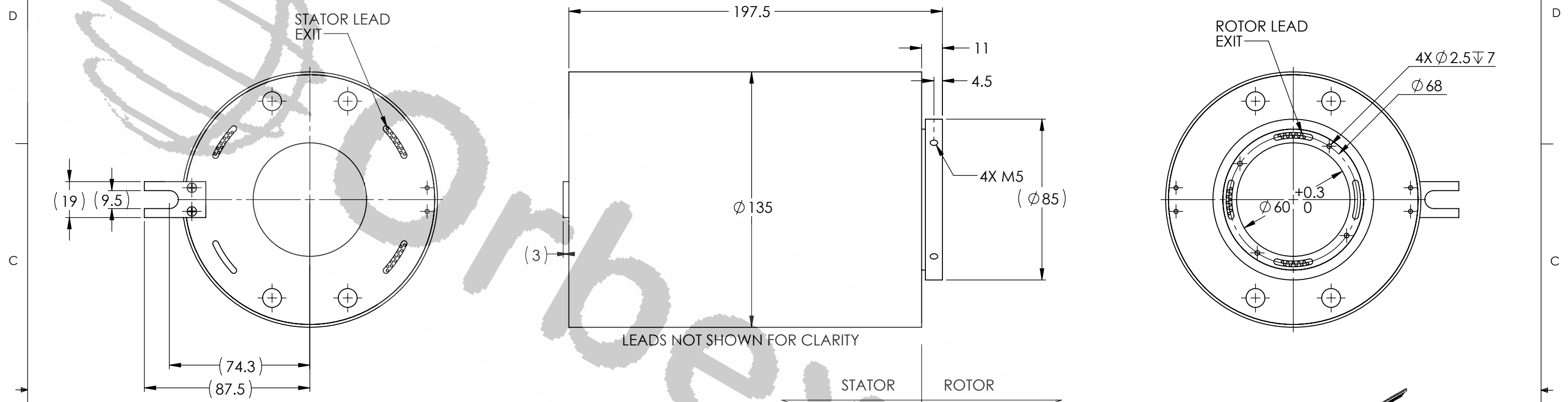


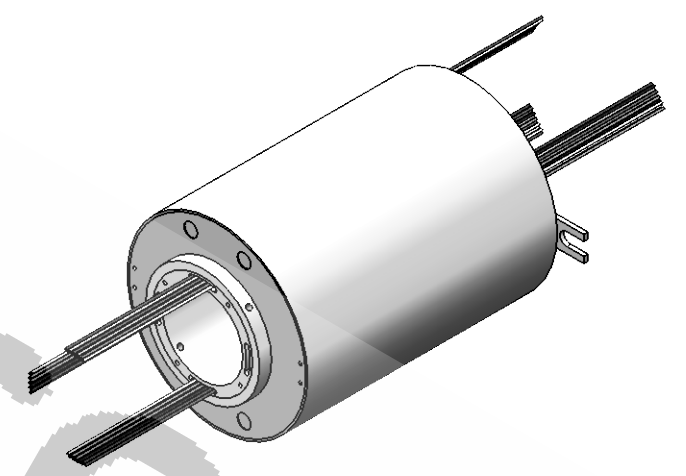
REVISIONS				
ZONE	REV.	DESCRIPTION	DATE	APPROVED
	A	CUSTOMER INFORMATIONAL	01/09/2019	RA



NOTE: X IN PART NUMBER IS A PLACE HOLDER FOR POWER CURRENT OPTION. A= 10 A/CIRCUIT AWG 16, B=15 A/CIRCUIT AWG 14, and C=20 A/CIRCUIT AWG12.

TECHNICAL DATA	
NUMBER OF CIRCUITS	30
RATED VOLTAGE	460 VAC
DIELECTRIC STRENGTH	500VAC@50Hz, 60S
RATED CURRENT(POWER)	A=10A, B=15A, C=20A
NOMINAL SPEED	250RPM
INSULATION RESISTANCE	>500 MΩ/500VDC
DYNAMIC CONTACT RESISTANCE	<10 mΩ
LEADS	TEFLON
LEAD LENGTH	500mm
TEMPERATURE	-20°C to + 80°C
BEARINGS	STAINLESS STEEL BALL BEARING
HOUSING	ENGINEERED PLASTIC
PROTECTION	IP51

WIRE COLOR CODE	
1/13/25. RED	2/14/26. YELLOW
3/15/27. BLACK	4/16/28. BLUE
5/17/29. GREEN	6/18/30. WHITE
7/19. PURPLE	8/20. GRAY
9/21. BROWN	10/22. ORANGE
11/23. DARK BLUE	12/24. KHAKI



	UNLESS OTHERWISE SPECIFIED: ANGLE: ±0.5°		TITLE:		
	LINEAR DIMENSION:		SLIP RING		
	0.5-6 ±0.1		SIZE	PRT. NO.	REV
	>6-30 ±0.2		B	560-0030X	A
>30-120 ±0.3	MATERIAL	SCALE: NTS		SHEET 1 OF 1	
>120-400 ±0.5	SEE CHART	DRAWN Sun KPO 01/09/2019			
>400-1000 ±0.8	FINISH CLEAN	CONFIDENTIAL			
>1000-2000 ±1.2	DRAWN				
>2000-4000 ±2					