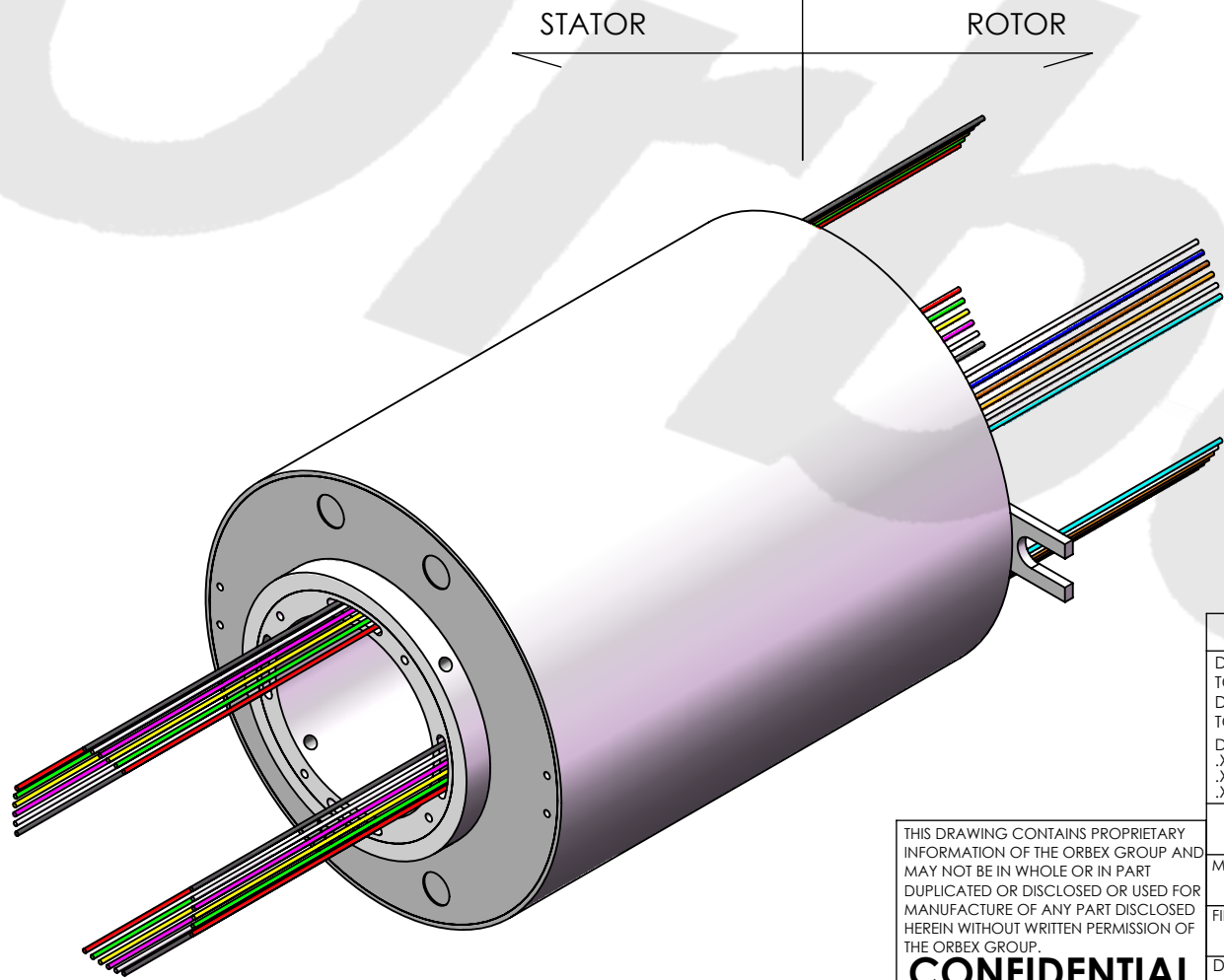
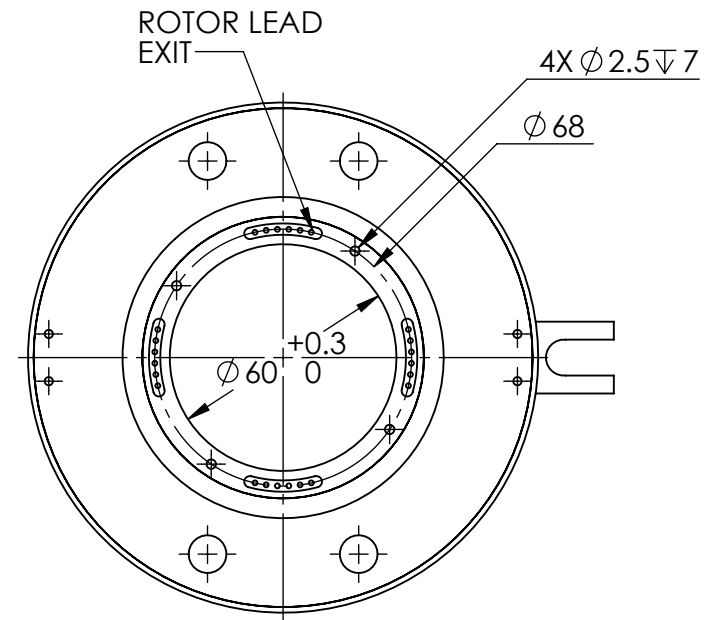
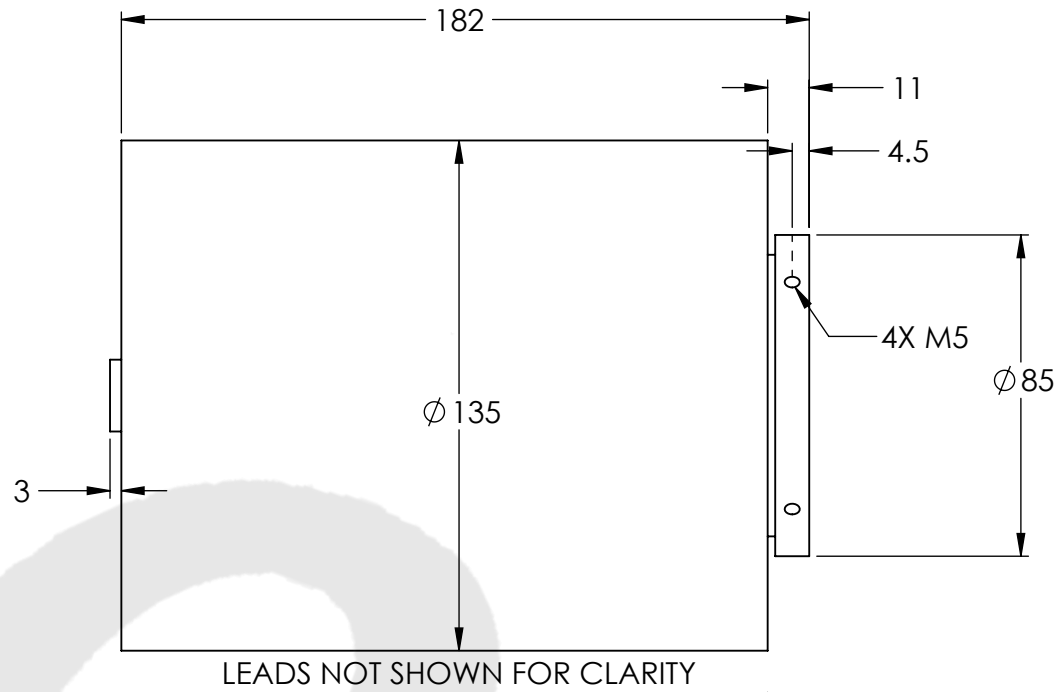
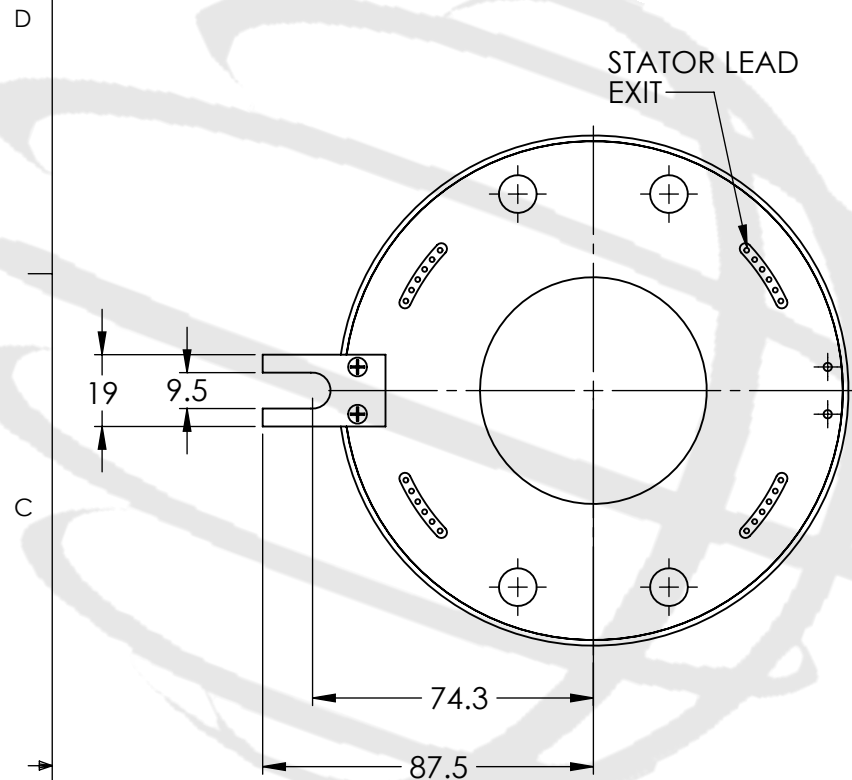


REVISIONS				
ZONE	REV.	DESCRIPTION	DATE	APPROVED
	1	Customer Information	1/1/2014	WRH



TECHNICAL DATA	
NUMBER OF CIRCUITS	24
RATED VOLTAGE	380 VAC
DIELECTRIC STRENGTH	500VAC@50Hz,60s
RATED CURRENT	10A/RING
NOMINAL SPEED	0-500 RPM
INSULATION RESISTANCE	≥500 MΩ/500VDC
DYNAMIC CONTACT RESISTANCE	<10 mΩ
CONTACT MATERIAL SURFACE	PRECIOUS METALS
LEAD	16 AWG TINNED, COLOR CODED, PTFE INSULATED LEAD WIRES
STANDARD LEAD LENGTH	500mm
TEMPERATURE	-20°C to +80°C
BEARINGS	MINIATURE, PRECISION STEEL BEARINGS
HOUSING	ABS PLASTIC
PROTECTION	IP65

WIRE COLOR CODE	
1/13. RED	2/14. YELLOW
3/15. BLACK	4/16. BLUE
5/17. GREEN	6/18. WHITE
7/19. PURPLE	8/20. GRAY
9/21. BROWN	10/22. ORANGE
11/23. DARK BLUE	12/24. KHAKI

UNLESS OTHERWISE SPECIFIED: DRAWING SYMBOLS & TOLERANCES PER ANSI Y14.5 DIMENSIONS ARE METRIC TOLERANCES: DECIMALS LINEAR ANGULAR .X ±0.2 ±0.5DEG .XX ±0.02 ±0.2DEG .XXX ±0.005 ±0.01DEG		Orbex Group	
INTERPRET GEOMETRIC TOLERANCING PER: ANSI Y14.5		TITLE: Slip Ring	
MATERIAL SEE CHART	SIZE B	PRT. NO. 560-0024-F	REV 1
FINISH CLEAN	DRAWN MRJ	DATE 1/28/2014	SCALE: 1:2
SHEET 1 OF 1		SHEET 1 OF 1	

THIS DRAWING CONTAINS PROPRIETARY INFORMATION OF THE ORBEX GROUP AND MAY NOT BE IN WHOLE OR IN PART DUPLICATED OR DISCLOSED OR USED FOR MANUFACTURE OF ANY PART DISCLOSED HEREIN WITHOUT WRITTEN PERMISSION OF THE ORBEX GROUP.
CONFIDENTIAL