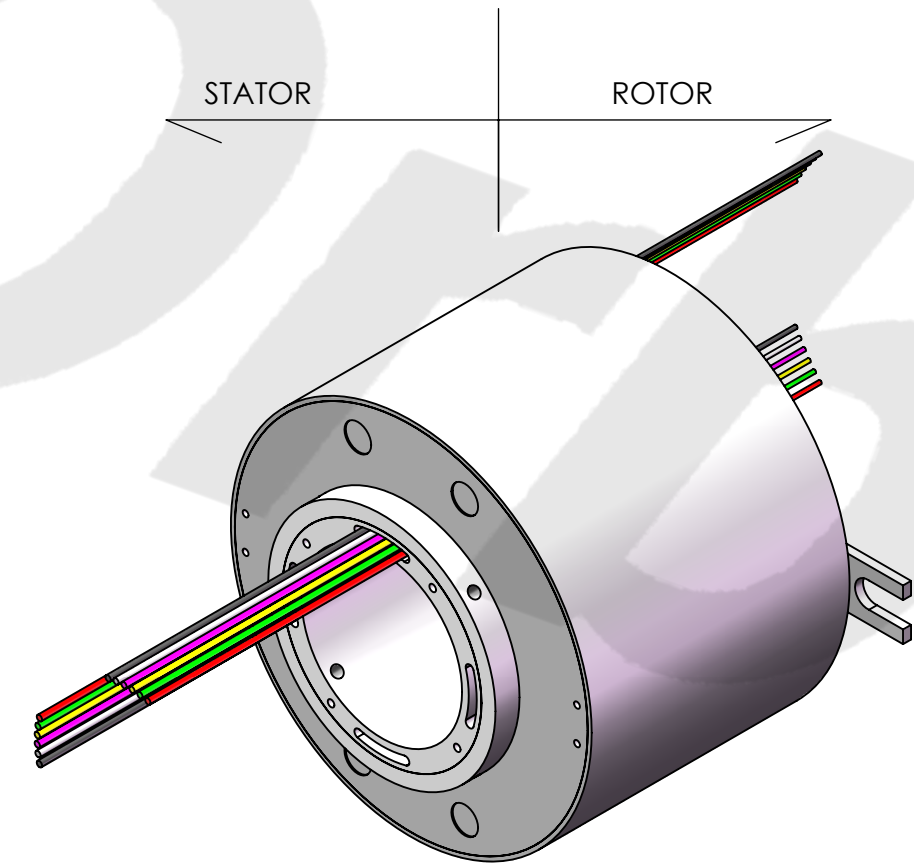
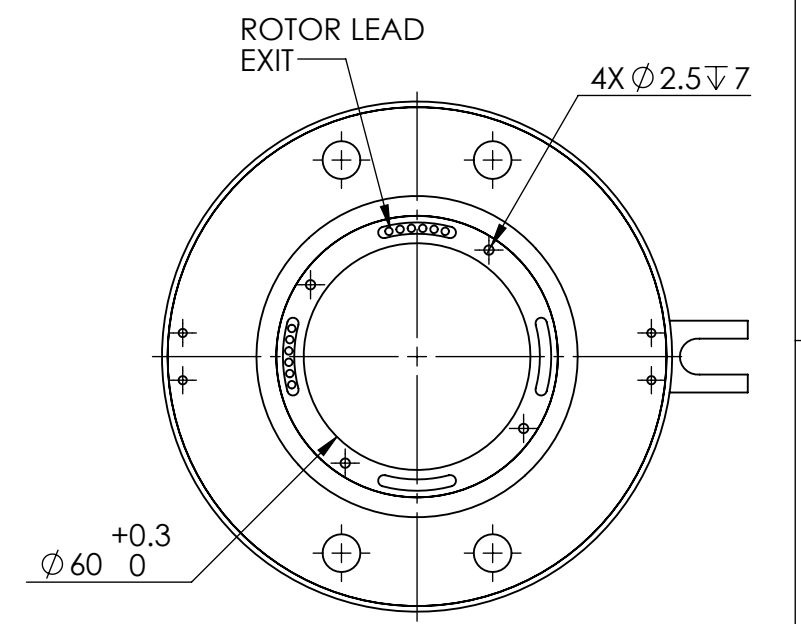
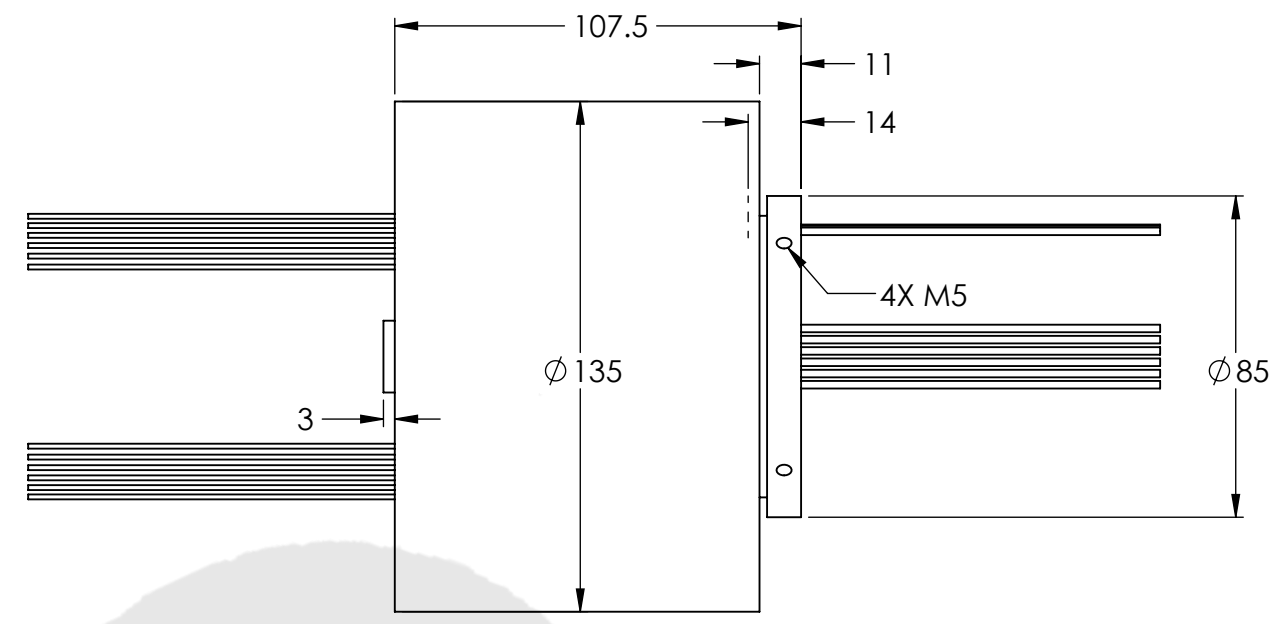
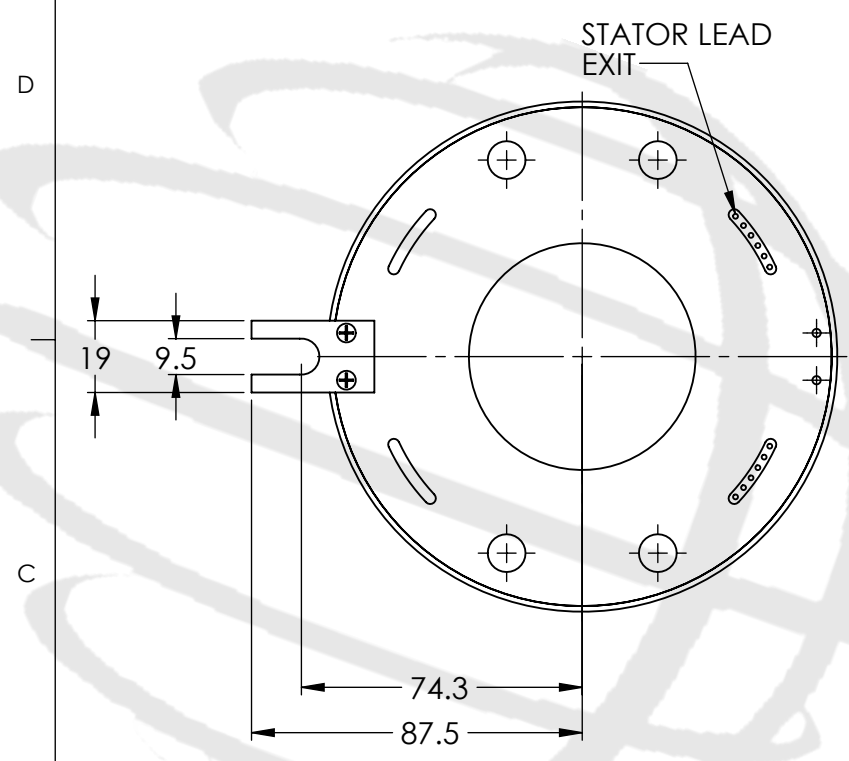


| REVISIONS |      |                      |          |          |
|-----------|------|----------------------|----------|----------|
| ZONE      | REV. | DESCRIPTION          | DATE     | APPROVED |
|           | 1    | Customer Information | 1/1/2014 | WRH      |



| WIRE COLOR CODE |            |
|-----------------|------------|
| 1. RED          | 2. YELLOW  |
| 3. BLACK        | 4. BLUE    |
| 5. GREEN        | 6. WHITE   |
| 7. PURPLE       | 8. GRAY    |
| 9. BROWN        | 10. ORANGE |
| 11. DARK BLUE   | 12. KHAKI  |

| TECHNICAL DATA             |   |
|----------------------------|---|
| NUMBER OF CIRCUITS         | 12  |
| RATED VOLTAGE              | 380 VAC   |
| DIELECTRIC STRENGTH        | 500VAC@50Hz,60s                                       |
| RATED CURRENT              | 10A/RING  |
| NOMINAL SPEED              | 0-500 RPM   |
| INSULATION RESISTANCE      | ≥500 MΩ/500VDC  |
| DYNAMIC CONTACT RESISTANCE | <10 mΩ  |
| CONTACT MATERIAL SURFACE   | PRECIOUS METALS                                       |
| LEAD                       | 16 AWG TINNED, COLOR CODED, PTFE INSULATED LEAD WIRES |
| STANDARD LEAD LENGTH       | 500mm   |
| TEMPERATURE                | -20°C to +80°C  |
| BEARINGS                   | MINIATURE, PRECISION STEEL BEARINGS                   |
| HOUSING                    | ABS PLASTIC   |
| PROTECTION                 | IP51  |

UNLESS OTHERWISE SPECIFIED:  
DRAWING SYMBOLS & TOLERANCES PER ANSI Y14.5  
DIMENSIONS ARE METRIC  
TOLERANCES:  
DECIMALS    LINEAR    ANGULAR  
.X            ±0.2            ±0.5DEG  
.XX          ±0.02          ±0.2DEG  
.XXX        ±0.005        ±0.01DEG



TITLE:  
**Slip Ring**

THIS DRAWING CONTAINS PROPRIETARY INFORMATION OF THE ORBEX GROUP AND MAY NOT BE IN WHOLE OR IN PART DUPLICATED OR DISCLOSED OR USED FOR MANUFACTURE OF ANY PART DISCLOSED HEREIN WITHOUT WRITTEN PERMISSION OF THE ORBEX GROUP.  
**CONFIDENTIAL**

INTERPRET GEOMETRIC TOLERANCING PER: ANSI Y14.5  
MATERIAL: SEE CHART  
FINISH: CLEAN  
DRAWN: MRJ 1/28/2014

|            |                 |              |
|------------|-----------------|--------------|
| SIZE       | PRT. NO.        | REV          |
| <b>B</b>   | <b>560-0012</b> | <b>1</b>     |
| SCALE: 1:2 |                 | SHEET 1 OF 1 |