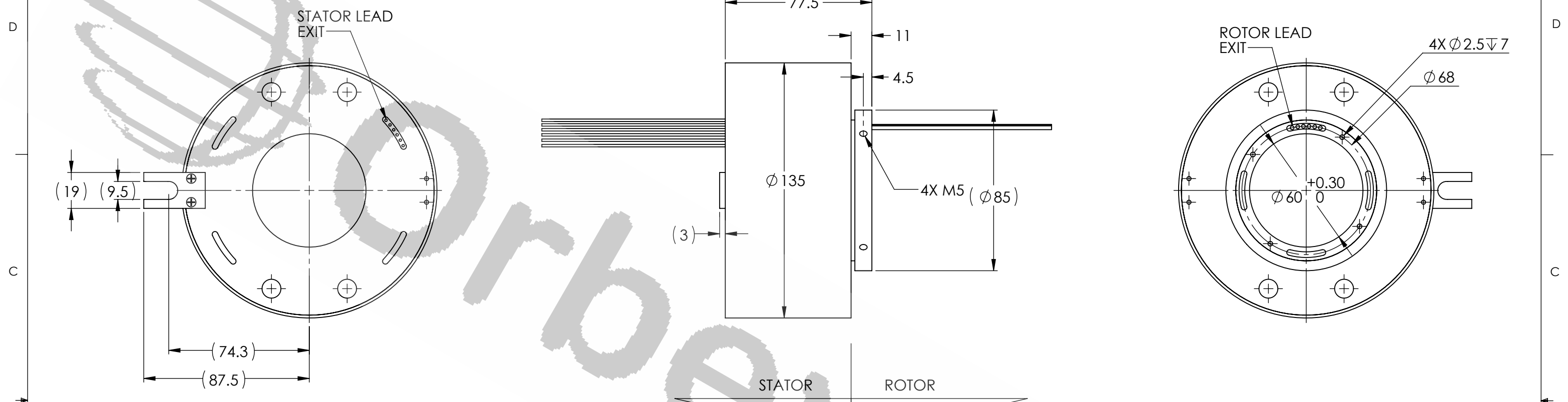


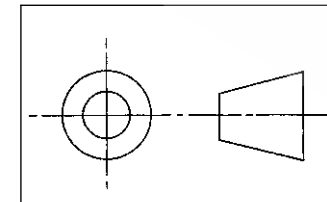
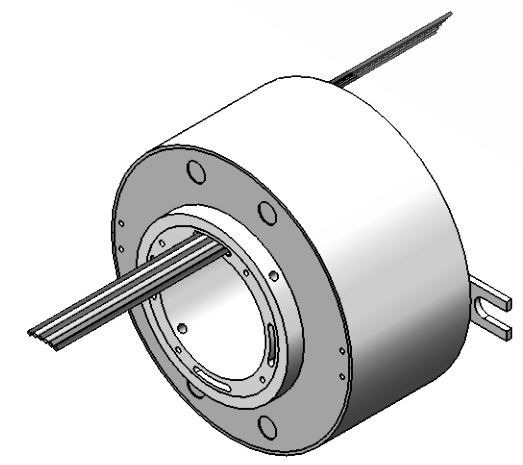
REVISIONS				
ZONE	REV.	DESCRIPTION	DATE	APPROVED
	A	CUSTOMER INFORMATIONAL	01/09/2019	RA



NOTE: X IN PART NUMBER IS A PLACE HOLDER FOR POWER CURRENT OPTION. A= 10 A/CIRCUIT AWG 16, B=15 A/CIRCUIT AWG 14, and C=20 A/CIRCUIT AWG12.

TECHNICAL DATA	
NUMBER OF CIRCUITS	6
RATED VOLTAGE	460 VAC
DIELECTRIC STRENGTH	500VAC@50Hz, 60S
RATED CURRENT(POWER)	A=10A, B=15A, C=20A
NOMINAL SPEED	250RPM
INSULATION RESISTANCE	>500 M Ω /500VDC
DYNAMIC CONTACT RESISTANCE	<10 m Ω
LEADS	TEFLON
LEAD LENGTH	500mm
TEMPERATURE	-20°C to + 80°C
BEARINGS	STAINLESS STEEL BALL BEARING
HOUSING	ENGINEERED PLASTIC
PROTECTION	IP51

WIRE COLOR CODE	
1. RED	2. YELLOW
3. BLACK	4. BLUE
5. GREEN	6. WHITE



THIS DRAWING CONTAINS PROPRIETARY INFORMATION OF THE ORBEX GROUP AND MAY NOT BE IN WHOLE OR IN PART DUPLICATED OR DISCLOSED OR USED FOR MANUFACTURE OF ANY PART DISCLOSED HEREIN WITHOUT WRITTEN PERMISSION OF THE ORBEX GROUP.

CONFIDENTIAL

UNLESS OTHERWISE SPECIFIED: ANGLE: $\pm 0.5^\circ$	
LINEAR DIMENSION:	
0.5-6	± 0.1
>6-30	± 0.2
>30-120	± 0.3
>120-400	± 0.5
>400-1000	± 0.8
>1000-2000	± 1.2
>2000-4000	± 2
MATERIAL	SEE CHART
FINISH	CLEAN
DRAWN	Sun KPO 01/09/2019

Orbex Group

TITLE: **SLIP RING**

SIZE: **B** PRT. NO.: **560-0006X** REV: **A**

SCALE: NTS SHEET 1 OF 1