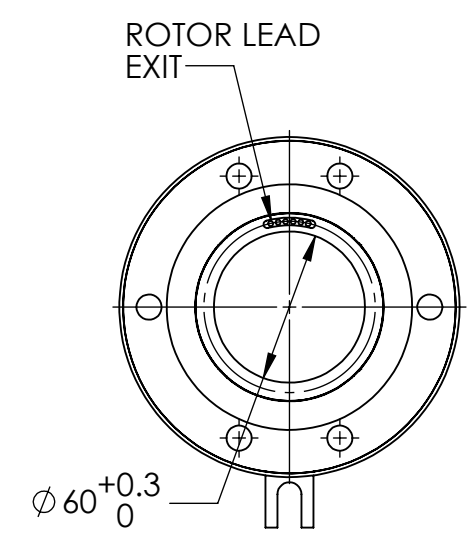
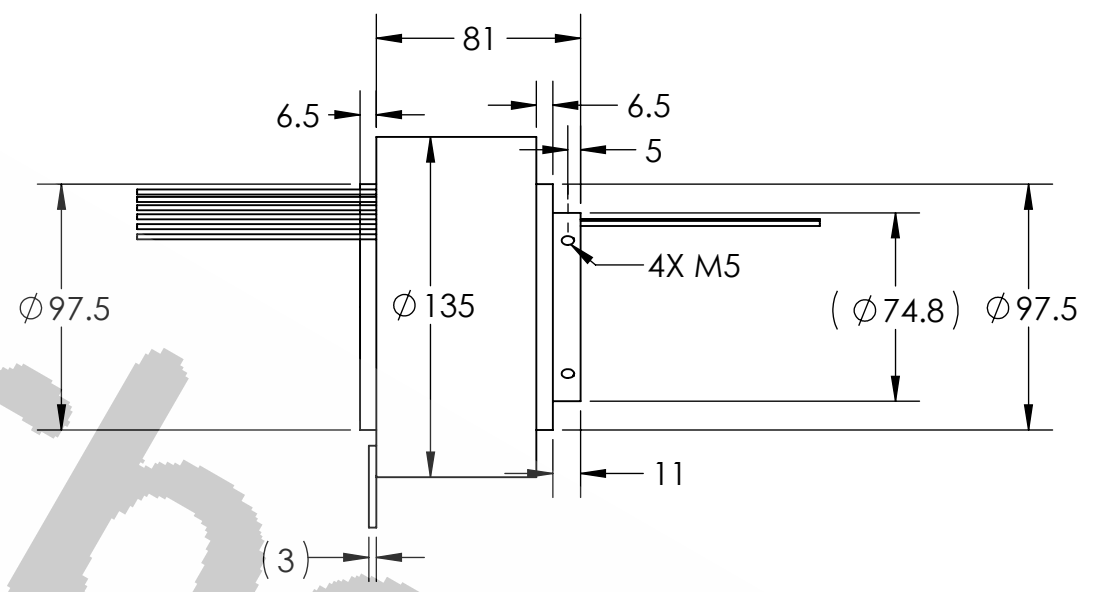
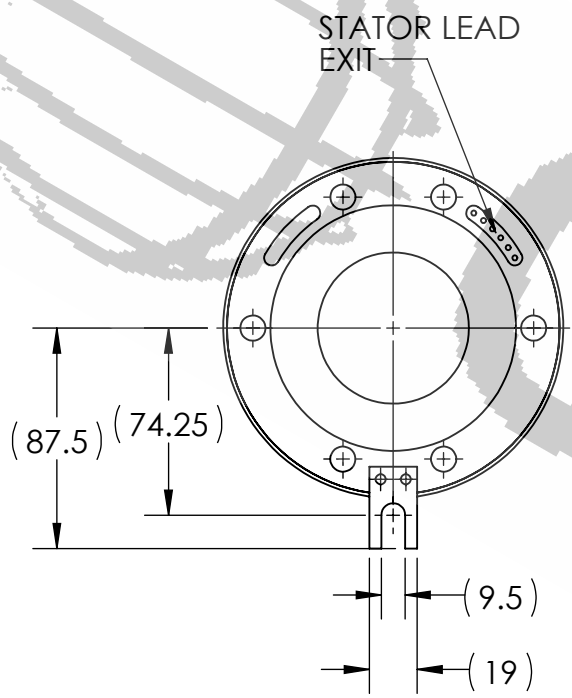


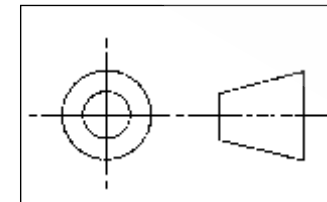
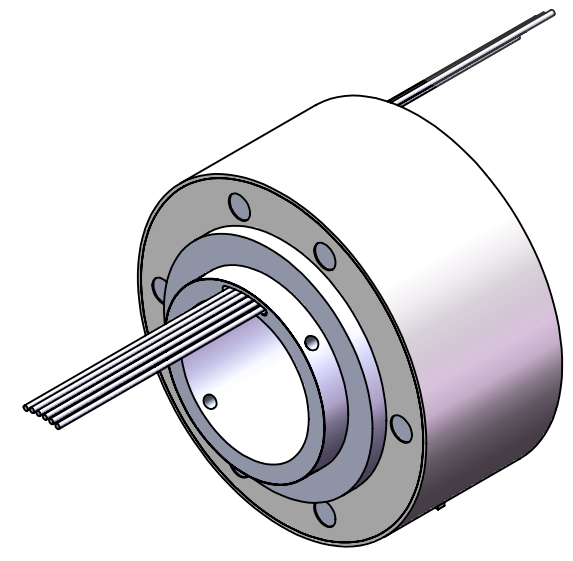
REVISIONS				
ZONE	REV.	DESCRIPTION	DATE	APPROVED
	A	CUSTOMER INFORMATIONAL	01/10/2019	RA



NOTE: X IN PART NUMBER IS A PLACE HOLDER FOR POWER CIRCUIT CURRENT OPTION. A= 10 A/CIRCUIT AWG 16, B=15 A/CIRCUIT AWG 14, AND C=20 A/CIRCUIT AWG12.

WIRE COLOR CODE	
1. RED	2. YELLOW
3. BLACK	4. BLUE
5. GREEN	6. WHITE

TECHNICAL DATA	
NUMBER OF CIRCUITS	6
RATED VOLTAGE	460 VAC
DIELECTRIC STRENGTH	500VAC@50Hz, 60S
RATED CURRENT(POWER)	A=10A, B=15A, C=20A
NOMINAL SPEED	250RPM
INSULATION RESISTANCE	>500 MΩ/500VDC
DYNAMIC CONTACT RESISTANCE	<10 mΩ
LEADS	TEFLON
LEAD LENGTH	500mm
TEMPERATURE	-20°C to + 80°C
BEARINGS	STAINLESS STEEL BALL BEARING
HOUSING	ALUMINUM(BLACK ANODIZED)
PROTECTION	IP65



UNLESS OTHERWISE SPECIFIED:
ANGLE: ±0.5°

LINEAR DIMENSION:	
0.5-6	±0.1
>6-30	±0.2
>30-120	±0.3
>120-400	±0.5
>400-1000	±0.8
>1000-2000	±1.2
>2000-4000	±2

THIS DRAWING CONTAINS PROPRIETARY INFORMATION OF THE ORBEX GROUP AND MAY NOT BE IN WHOLE OR IN PART DUPLICATED OR DISCLOSED OR USED FOR MANUFACTURE OF ANY PART DISCLOSED HEREIN WITHOUT WRITTEN PERMISSION OF THE ORBEX GROUP.

CONFIDENTIAL

MATERIAL: SEE CHART
FINISH: CLEAN
DRAWN: Sun KPO 01/10/2019



TITLE:

SLIP RING

SIZE: **B** PRT. NO.: 560-0006X-F REV: **A**

SCALE: NTS SHEET 1 OF 1