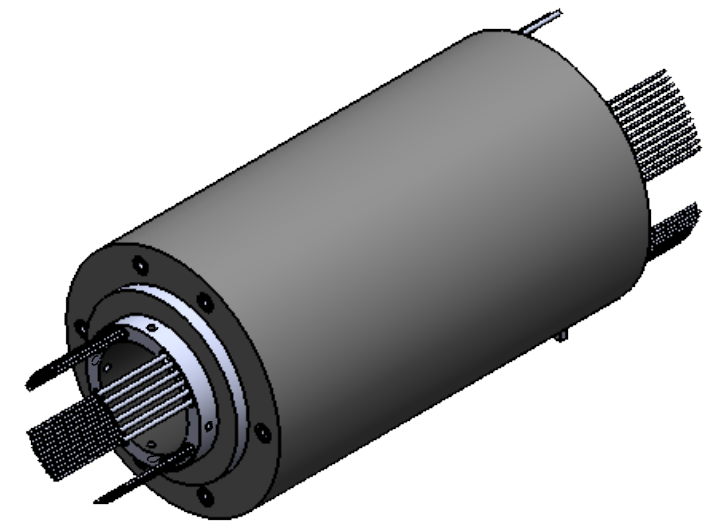
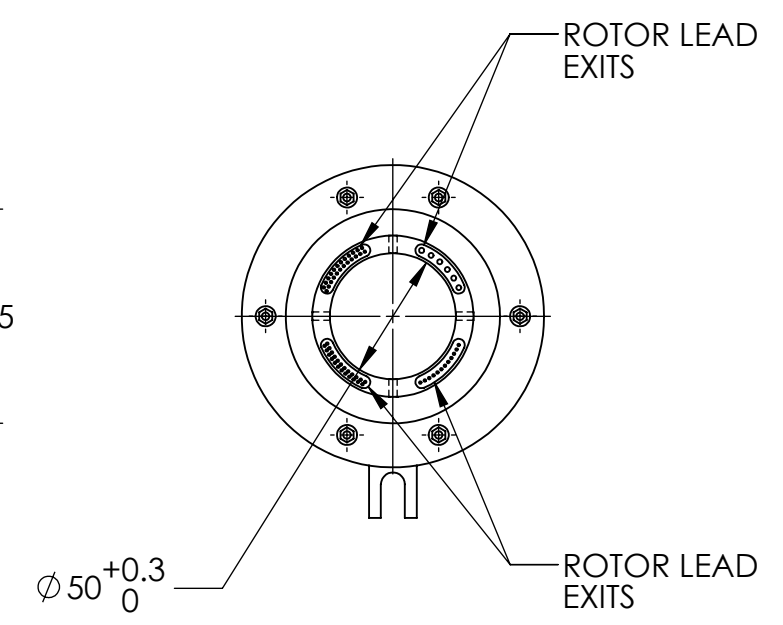
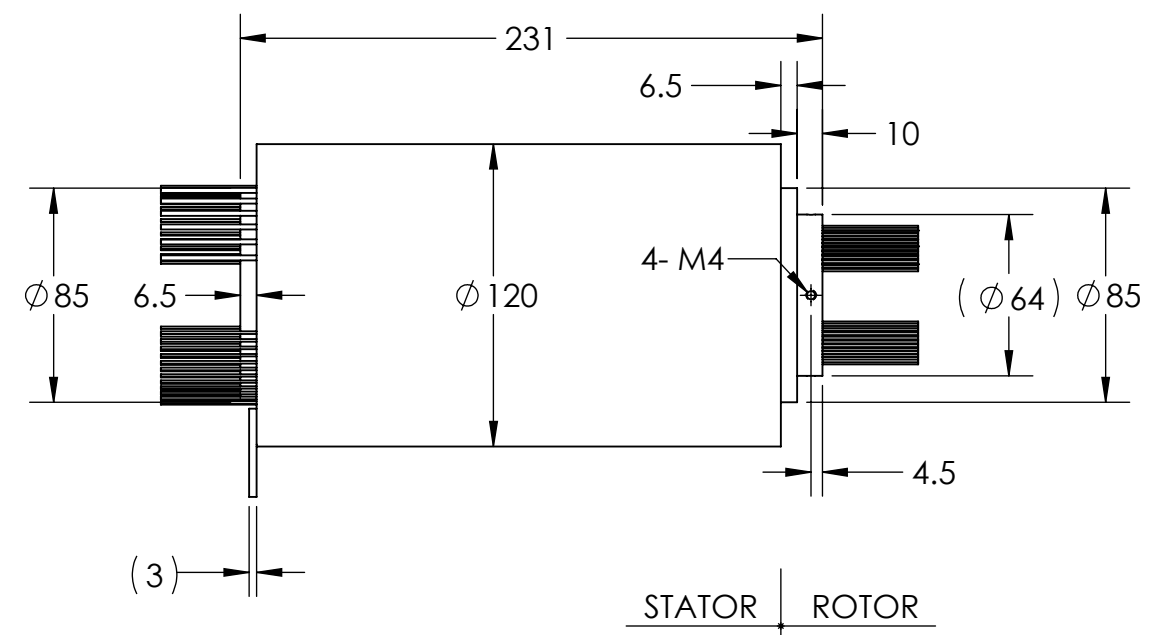
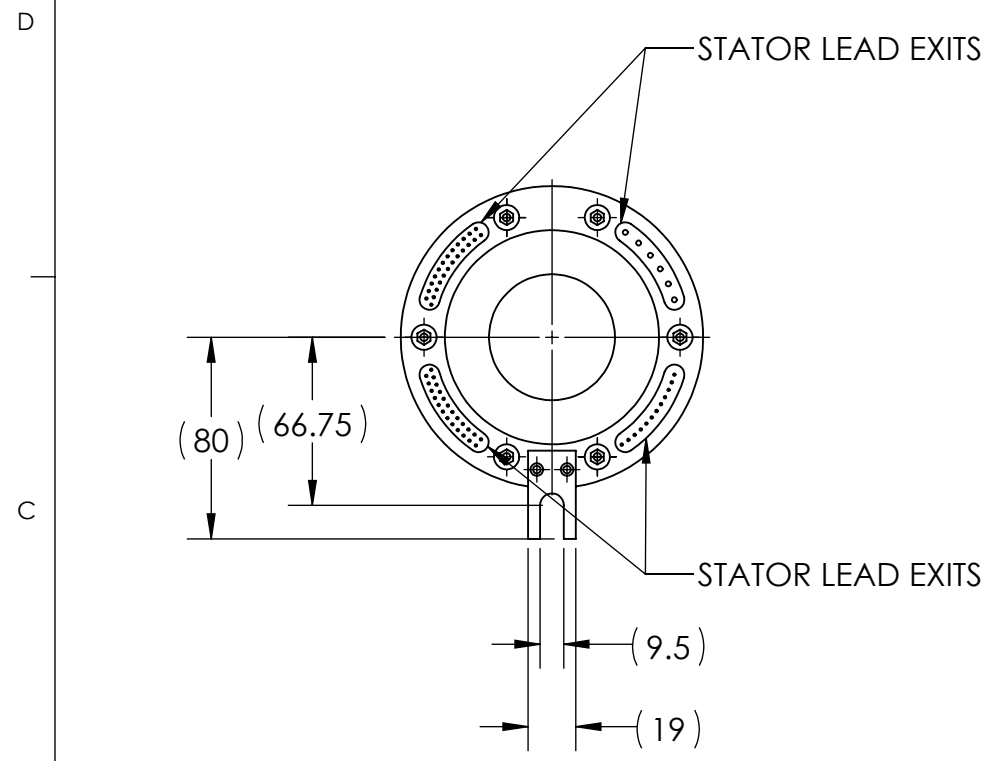


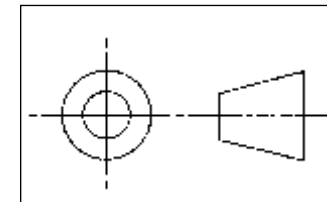
| REVISIONS |      |                        |            |          |
|-----------|------|------------------------|------------|----------|
| ZONE      | REV. | DESCRIPTION            | DATE       | APPROVED |
|           | 2    | CUSTOMER INFORMATIONAL | 12/18/2017 | RA       |



NOTE: X IN PART NUMBER IS A PLACE HOLDER FOR POWER CURRENT OPTION.  
 A= 10 A/CIRCUIT AWG 16, B=15A/CIRCUIT AWG 14, AND C=20 A/CIRCUIT AWG 12.

| TECHNICAL DATA             |                                     |
|----------------------------|-------------------------------------|
| NUMBER OF CIRCUITS         | 60 SIGNAL/6 POWER                   |
| RATED VOLTAGE              | POWER: 460 VAC, SIGNAL: 240 VAC/VDC |
| DIELECTRIC STRENGTH        | 500VAC@50Hz, 60s                    |
| RATED CURRENT(POWER)       | A=10A, B=15A,20A                    |
| RATED CURRENT(SIGNAL)      | 5A                                  |
| NOMINAL SPEED              | 250RPM                              |
| INSULATION RESISTANCE      | >500M $\Omega$ /500VDC              |
| DYNAMIC CONTACT RESISTANCE | <10 m $\Omega$                      |
| LEADS                      | TEFLON                              |
| LEAD LENGTH                | 500mm                               |
| TEMPERATURE                | -20°C to + 80°C                     |
| BEARINGS                   | STAINLESS STEEL BALL BEARING        |
| HOUSING                    | ALUMINUM(BLACK ANODIZED)            |
| PROTECTION                 | IP65                                |

| WIRE COLOR CODE             |                        |
|-----------------------------|------------------------|
| 22 AWG (60 SIGNAL CIRCUITS) |                        |
| 1/13/25/37/49. RED          | 2/14/26/38/50. YELLOW  |
| 3/15/27/39/51. BLACK        | 4/16/28/40/52. BLUE    |
| 5/17/29/41/53. GREEN        | 6/18/30/42/54. WHITE   |
| 7/19/31/43/55. PURPLE       | 8/20/32/44/56. GRAY    |
| 9/21/33/45/57. BROWN        | 10/22/34/46/58. ORANGE |
| 11/23/35/47/59. DARK BLUE   | 12/24/36/48/60. KHAKI  |
| (6 POWER CIRCUITS)          |                        |
| 1. RED                      | 2. YELLOW              |
| 3. BLACK                    | 4. BLUE                |
| 5. GREEN                    | 6. WHITE               |



UNLESS OTHERWISE SPECIFIED:  
 ANGLE:  $\pm 0.5^\circ$

| LINEAR DIMENSION |           |
|------------------|-----------|
| 0.5-6            | $\pm 0.1$ |
| >6-30            | $\pm 0.2$ |
| >30-120          | $\pm 0.3$ |
| >120-400         | $\pm 0.5$ |
| >400-1000        | $\pm 0.8$ |
| >1000-2000       | $\pm 1.2$ |
| >2000-4000       | $\pm 2$   |

MATERIAL: SEE CHART

FINISH: CLEAN

DRAWN: Sun KPO 12/18/2017

**Orbex Group**

TITLE: **SLIP RING**

SIZE: **B** PRT. NO.: **550-6006X-F** REV: **2**

SCALE: NTS SHEET 1 OF 1

THIS DRAWING CONTAINS PROPRIETARY INFORMATION OF THE ORBEX GROUP AND MAY NOT BE IN WHOLE OR IN PART DUPLICATED OR DISCLOSED OR USED FOR MANUFACTURE OF ANY PART DISCLOSED HEREIN WITHOUT WRITTEN PERMISSION OF THE ORBEX GROUP.

**CONFIDENTIAL**