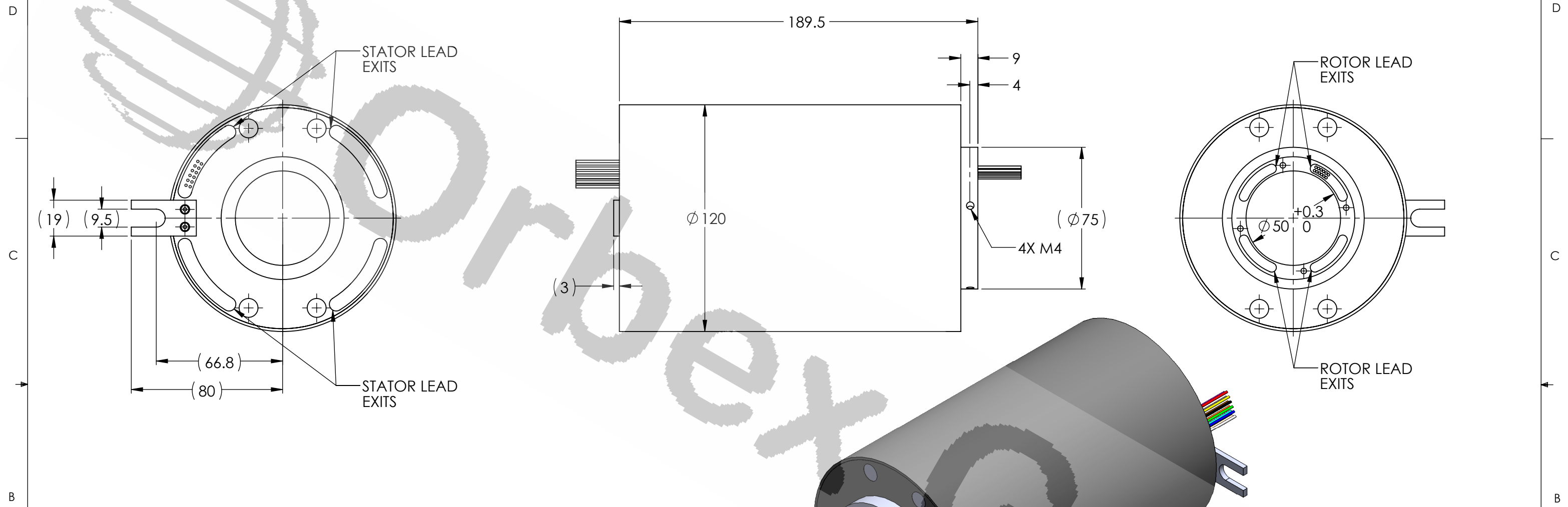
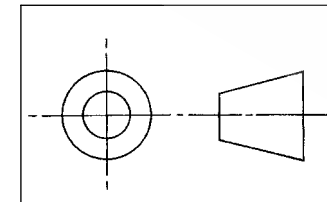


| REVISIONS | | | | |
|-----------|------|------------------------|------------|----------|
| ZONE | REV. | DESCRIPTION | DATE | APPROVED |
| | 2 | CUSTOMER INFORMATIONAL | 10/31/2017 | RA |



| TECHNICAL DATA | |
|----------------------------|------------------------------|
| NUMBER OF CIRCUITS | 60 POWER CIRCUITS |
| RATED VOLTAGE | 240 VAC/VDC |
| DIELECTRIC STRENGTH | 500VAC@50Hz,60s |
| RATED CURRENT(SIGNAL) | 5A |
| NOMINAL SPEED | 250 RPM |
| INSULATION RESISTANCE | >500 MΩ/500VDC |
| DYNAMIC CONTACT RESISTANCE | <10 mΩ |
| LEADS | AWG 22 TEFLON |
| LEAD LENGTH | 500mm |
| TEMPERATURE | -20 °C to + 80 °C |
| BEARINGS | STAINLESS STEEL BALL BEARING |
| HOUSING | ENGINEERED PLASTIC |
| PROTECTION | IP51 |

| WIRE COLOR CODE | |
|-----------------------------|------------------------|
| 22 AWG (60 SIGNAL CIRCUITS) | |
| 1/13/25/37/49. RED | 2/14/26/38/50. YELLOW |
| 3/15/27/39/51. BLACK | 4/16/28/40/52. BLUE |
| 5/17/29/41/53. GREEN | 6/18/30/42/54. WHITE |
| 7/19/31/43/55. PURPLE | 8/20/32/44/56. GRAY |
| 9/21/33/45/57. BROWN | 10/22/34/46/58. ORANGE |
| 11/23/35/47/59. DARK BLUE | 12/24/36/48/60. KHAKI |



THIS DRAWING CONTAINS PROPRIETARY INFORMATION OF THE ORBEX GROUP AND MAY NOT BE IN WHOLE OR IN PART DUPLICATED OR DISCLOSED OR USED FOR MANUFACTURE OF ANY PART DISCLOSED HEREIN WITHOUT WRITTEN PERMISSION OF THE ORBEX GROUP.

CONFIDENTIAL

| | |
|---|--------------------|
| UNLESS OTHERWISE SPECIFIED: ANGLE: ±0.5° | |
| LINEAR DIMENSION: | |
| 0.5-6 | ±0.1 |
| >6-30 | ±0.2 |
| >30-120 | ±0.3 |
| >120-400 | ±0.5 |
| >400-1000 | ±0.8 |
| >1000-2000 | ±1.2 |
| >2000-4000 | ±2 |
| MATERIAL | SEE CHART |
| FINISH | CLEAN |
| DRAWN | Sun KPO 10/31/2017 |

Orbex Group

TITLE: **SLIP RING**

| | | |
|----------|-----------------|----------|
| SIZE | PRT. NO. | REV |
| B | 550-6000 | 2 |

SCALE: NTS

SHEET 1 OF 1