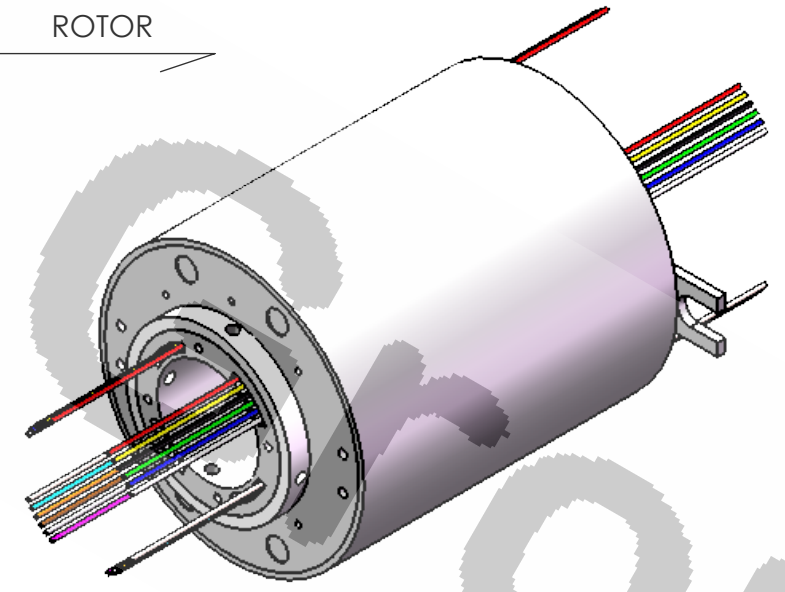
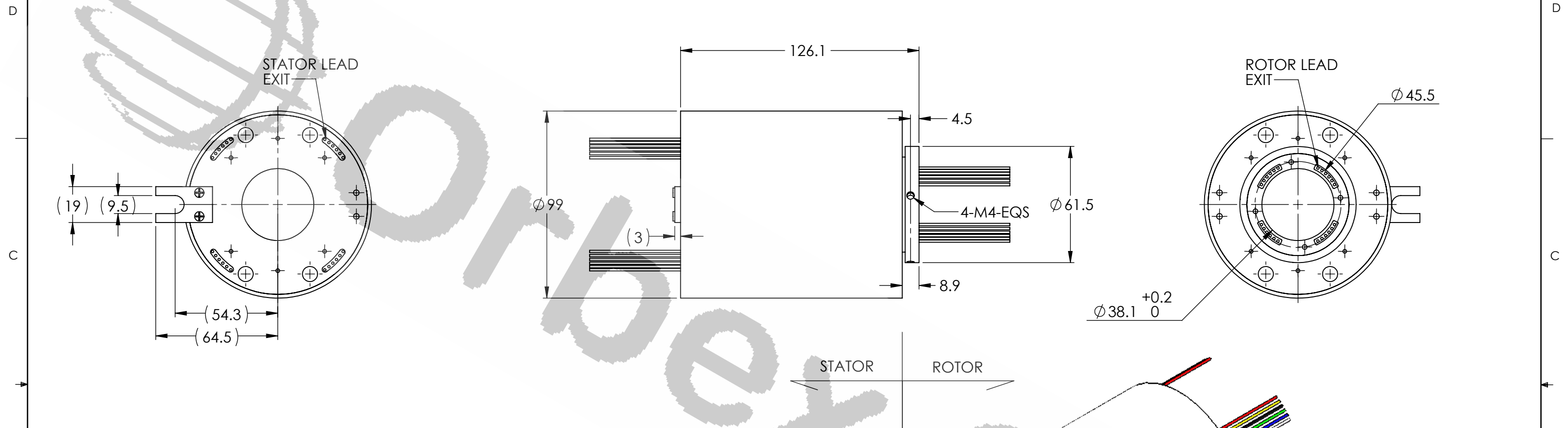


REVISIONS				
ZONE	REV.	DESCRIPTION	DATE	APPROVED
	2	CUSTOMER INFORMATIONAL	08/29/2017	RA



NOTE: FOR 15 AMP POWER CIRCUITS, ADD "-B" TO PART NUMBER

TECHNICAL DATA	
NUMBER OF CIRCUITS	24 POWER
RATED VOLTAGE	460 VAC
DIELECTRIC STRENGTH	500VAC@ 50Hz,60s
RATED CURRENT (POWER)	10A
NOMINAL SPEED	250 RPM
INSULATION RESISTANCE	>500 MΩ/500VDC
DYNAMIC CONTACT RESISTANCE	<10 mΩ
CONTACT MATERIAL SURFACE	PRECIOUS METAL
LEAD	TEFLON 16 AWG
LEAD LENGTH	500mm
TEMPERATURE	-20°C to + 80°C
BEARINGS	STAINLESS STEEL BALL BEARINGS
HOUSING	ENGINEERED PLASTIC
PROTECTION	IP51

WIRE COLOR CODE	
1/13. RED	2/14. YELLOW
3/15. BLACK	4/16. BLUE
5/17. GREEN	6/18. WHITE
7/19. PURPLE	8/20. GRAY
9/21. BROWN	10/22. ORANGE
11/23. DARK BLUE	12/24. KHAKI



THIS DRAWING CONTAINS PROPRIETARY INFORMATION OF THE ORBEX GROUP AND MAY NOT BE IN WHOLE OR IN PART DUPLICATED OR DISCLOSED OR USED FOR MANUFACTURE OF ANY PART DISCLOSED HEREIN WITHOUT WRITTEN PERMISSION OF THE ORBEX GROUP.

CONFIDENTIAL

UNLESS OTHERWISE SPECIFIED: ANGLE: ±0.5°	
LINEAR DIMENSION:	
0.5-6	±0.1
>6-30	±0.2
>30-120	±0.3
>120-400	±0.5
>400-1000	±0.8
>1000-2000	±1.2
>2000-4000	±2
MATERIAL	SEE CHART
FINISH	CLEAN
DRAWN	Sun KPO 08/29/2017



TITLE:

SLIP RING

SIZE	PRT. NO.	REV
B	538-0024	2

SCALE: 1:1 SHEET 1 OF 1