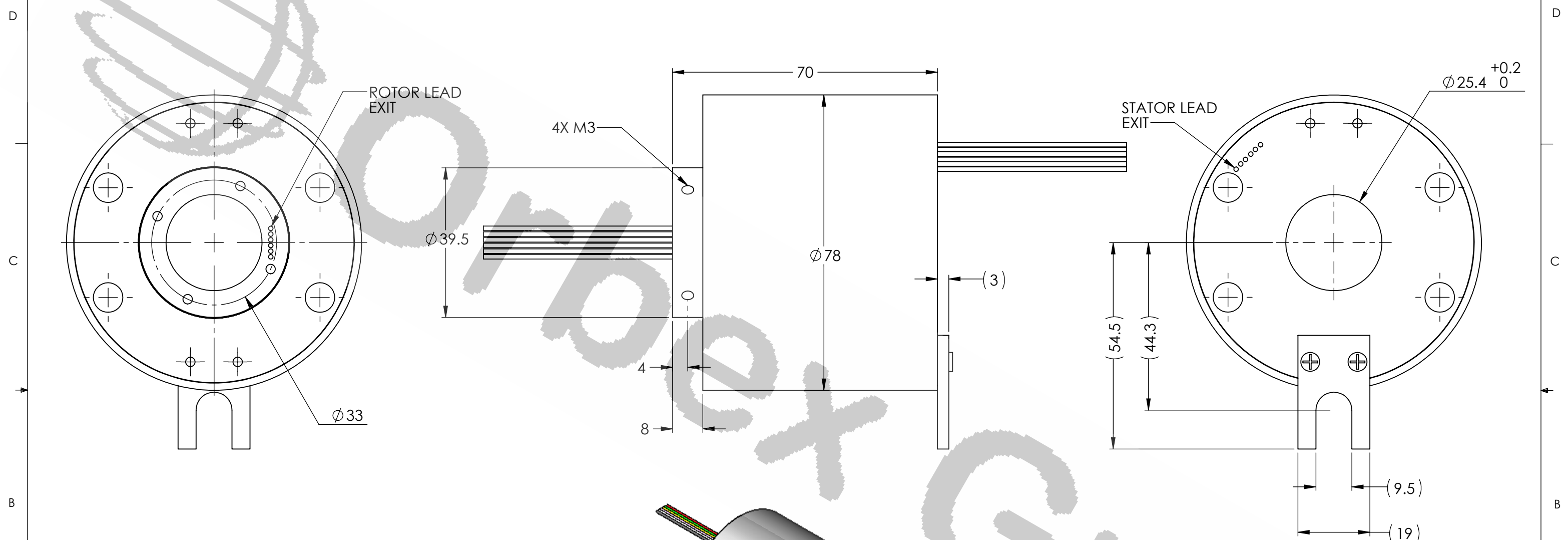
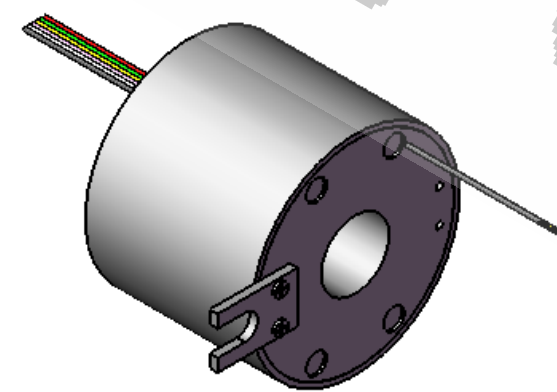


| REVISIONS | | | | |
|-----------|------|------------------------|------------|----------|
| ZONE | REV. | DESCRIPTION | DATE | APPROVED |
| | 2 | CUSTOMER INFORMATIONAL | 08/22/2017 | RA |



NOTE: FOR 15 AMP POWER CIRCUITS, ADD "-B" TO PART NUMBER.

| TECHNICAL DATA | |
|----------------------------|-------------------------------|
| NUMBER OF CIRCUITS | 6 |
| RATED VOLTAGE | 460 VAC |
| DIELECTRIC STRENGTH | 500VAC@50Hz, 60s |
| RATED CURRENT | 10A/RING |
| NOMINAL SPEED | 250 RPM |
| INSULATION RESISTANCE | >500 MΩ/500VDC |
| DYNAMIC CONTACT RESISTANCE | <10 mΩ |
| LEADS | TEFLON |
| LEAD LENGTH | 500mm |
| TEMPERATURE | -20°C to + 80°C |
| BEARINGS | STAINLESS STEEL BALL BEARINGS |
| HOUSING | ALUMINUM(BLACK ANODIZED) |
| PROTECTION | IP65 |



| WIRE COLOR CODE | |
|-----------------|-----------|
| POWER(6), AWG16 | |
| 1. RED | 2. YELLOW |
| 3. BLACK | 4. BLUE |
| 5. GREEN | 6. WHITE |

THIS DRAWING CONTAINS PROPRIETARY INFORMATION OF THE ORBEX GROUP AND MAY NOT BE IN WHOLE OR IN PART DUPLICATED OR DISCLOSED OR USED FOR MANUFACTURE OF ANY PART DISCLOSED HEREIN WITHOUT WRITTEN PERMISSION OF THE ORBEX GROUP.

CONFIDENTIAL

| UNLESS OTHERWISE SPECIFIED: ANGLE: ±0.5° | |
|---|--------------------|
| LINEAR DIMENSION: | |
| 0.5-6 | ±0.1 |
| >6-30 | ±0.2 |
| >30-120 | ±0.3 |
| >120-400 | ±0.5 |
| >400-1000 | ±0.8 |
| >1000-2000 | ±1.2 |
| >2000-4000 | ±2 |
| MATERIAL | SEE CHART |
| FINISH | CLEAN |
| DRAWN | Sun KPO 08/22/2017 |

Orbex Group

TITLE: **SLIP RING**

| | | |
|----------|-------------------|----------|
| SIZE | PRT. NO. | REV |
| B | 525-0006-F | 2 |

SCALE: NTS

SHEET 1 OF 1