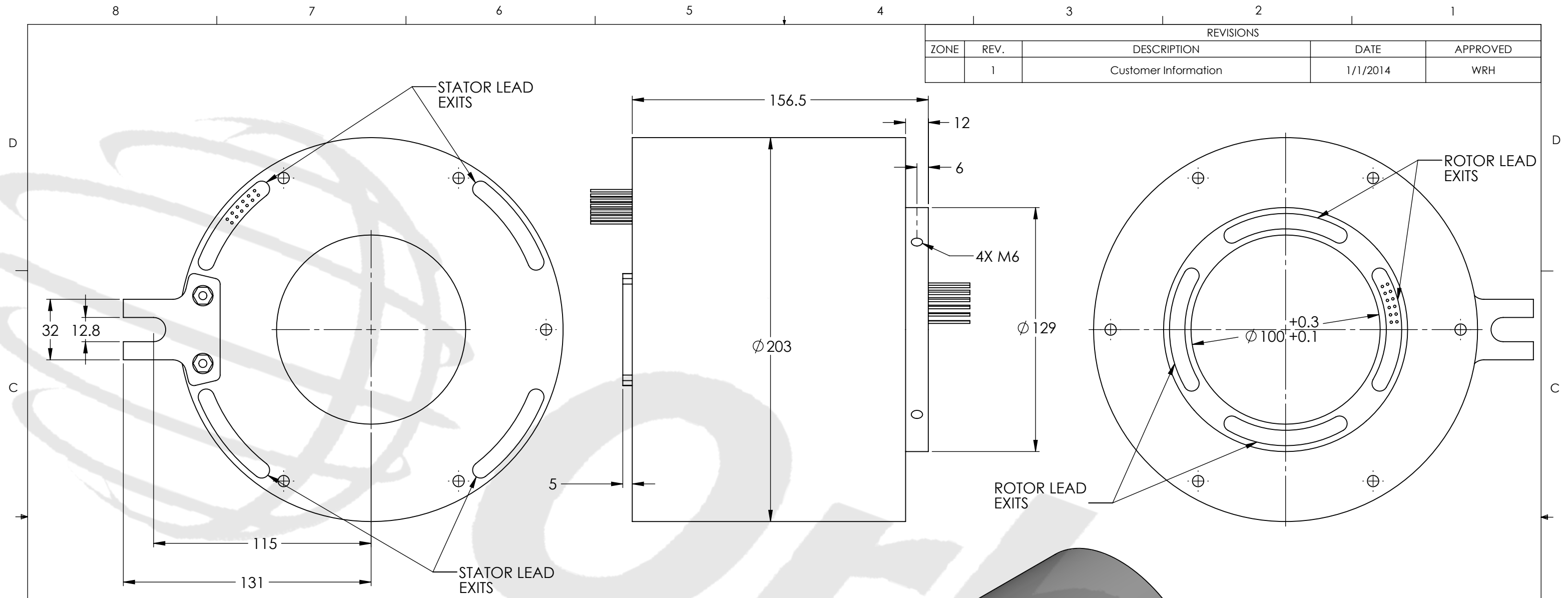


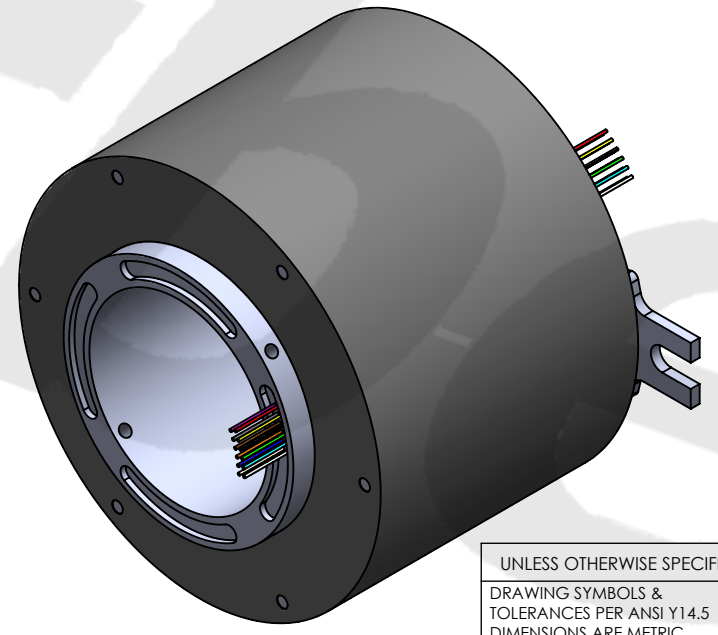
| REVISIONS |      |                      |          |          |
|-----------|------|----------------------|----------|----------|
| ZONE      | REV. | DESCRIPTION          | DATE     | APPROVED |
|           | 1    | Customer Information | 1/1/2014 | WRH      |



ROTOR AND STATOR LEADS FOR VISUALIZATION ONLY. TRUE NUMBERS, ORIENTATION, SIZE, LOCATION, AND COLORS CAN VARY BASED ON SPECIFICATIONS. ROTOR AND STATOR EXIT POINTS NOTED.

| TECHNICAL DATA             |  |
|----------------------------|--|
| NUMBER OF CIRCUITS         | 18 POWER CIRCUITS  |
| RATED VOLTAGE              | 380 VAC (POWER) 240 VAC/VDC (SIGNAL)   |
| DIELECTRIC STRENGTH        | 500VAC@50Hz,60s  |
| RATED CURRENT              | 5A/RING (SIGNAL), 10A, 15A, OR 20A/RING (POWER)  |
| NOMINAL SPEED              | 0-500 RPM  |
| INSULATION RESISTANCE      | $\geq 1000 \text{ M}\Omega/500\text{VDC}$ (SIGNAL), $\geq 500 \text{ M}\Omega/500\text{VDC}$ (POWER) |
| DYNAMIC CONTACT RESISTANCE | $< 10 \text{ m}\Omega$   |
| CONTACT MATERIAL SURFACE   | PRECIOUS METALS  |
| LEAD                       | 22 AWG SILVER PLATED AND 16 AWG TINNED, COLOR CODED, PTFE INSULATED LEAD WIRES                       |
| STANDARD LEAD LENGTH       | 500mm  |
| TEMPERATURE                | -20°C to +80°C   |
| BEARINGS                   | MINIATURE, PRECISION STEEL BEARINGS  |
| HOUSING                    | ABS PLASTIC  |
| PROTECTION                 | IP51   |

| WIRE COLOR CODE            |              |
|----------------------------|--------------|
| 16 AWG (18 POWER CIRCUITS) |              |
| 1/13. RED                  | 2/14. YELLOW |
| 3/15. BLACK                | 4/16. BLUE   |
| 5/17. GREEN                | 6/18. WHITE  |
| 7. PURPLE                  | 8. GRAY      |
| 9. BROWN                   | 10. ORANGE   |
| 11. DARK BLUE              | 12. KHAKI    |



THIS DRAWING CONTAINS PROPRIETARY INFORMATION OF THE ORBEX GROUP AND MAY NOT BE IN WHOLE OR IN PART DUPLICATED OR DISCLOSED OR USED FOR MANUFACTURE OF ANY PART DISCLOSED HEREIN WITHOUT WRITTEN PERMISSION OF THE ORBEX GROUP.

**CONFIDENTIAL**

|  |                  |                              |                  |
|--|------------------|------------------------------|------------------|
| UNLESS OTHERWISE SPECIFIED:<br>DRAWING SYMBOLS & TOLERANCES PER ANSI Y14.5<br>DIMENSIONS ARE METRIC<br>TOLERANCES:<br>DECIMALS    LINEAR    ANGULAR<br>.X $\pm 0.2$ $\pm 0.5\text{DEG}$<br>.XX $\pm 0.02$ $\pm 0.2\text{DEG}$<br>.XXX $\pm 0.005$ $\pm 0.01\text{DEG}$ |                  | <b>Orbex Group</b>           |                  |
| INTERPRET GEOMETRIC TOLERANCING PER: ANSI Y14.5  |                  | TITLE:<br><b>Slip Ring</b>   |                  |
| MATERIAL<br>SEE CHART  | SIZE<br><b>B</b> | PRT. NO.<br><b>5100-0018</b> | REV<br><b>CI</b> |
| FINISH<br>CLEAN  | DRAWN<br>MRJ     | DATE<br>1/7/2014             | SCALE: 1:2       |
| SHEET 1 OF 1   |                  |                              |                  |