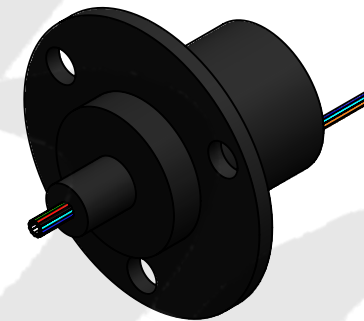
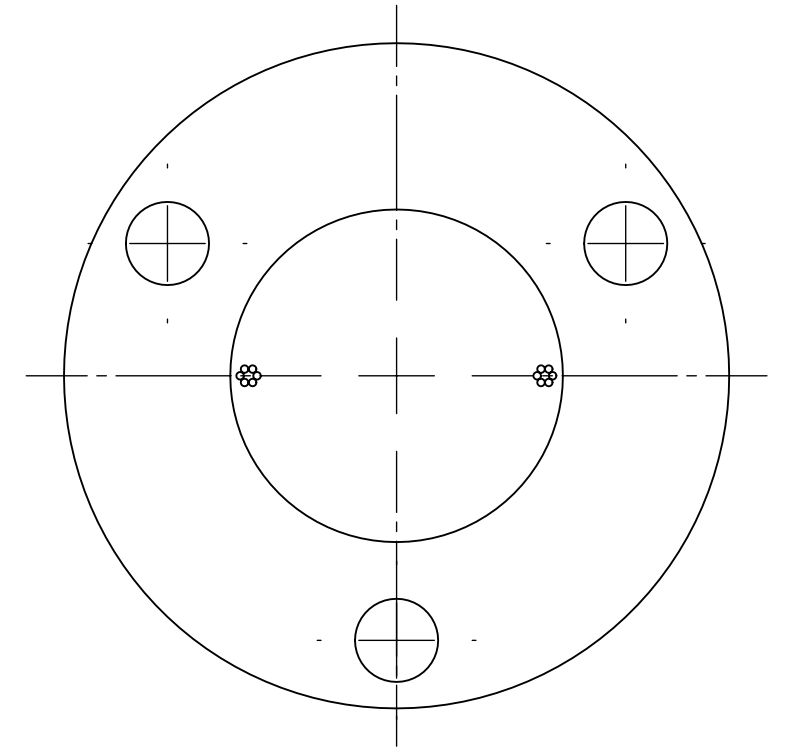
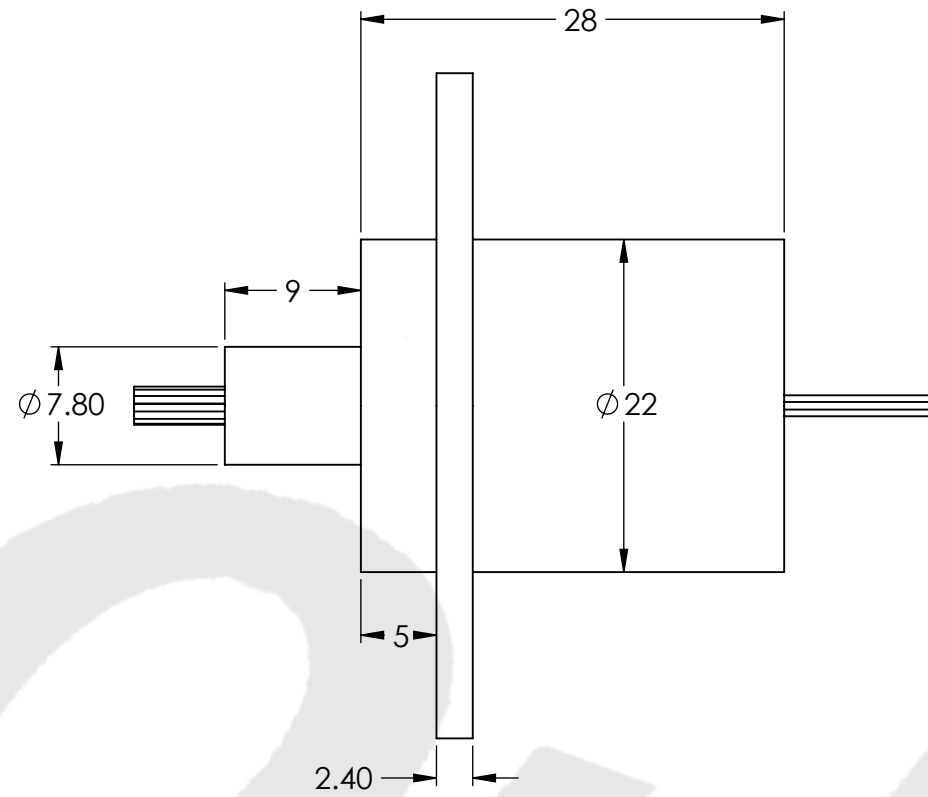
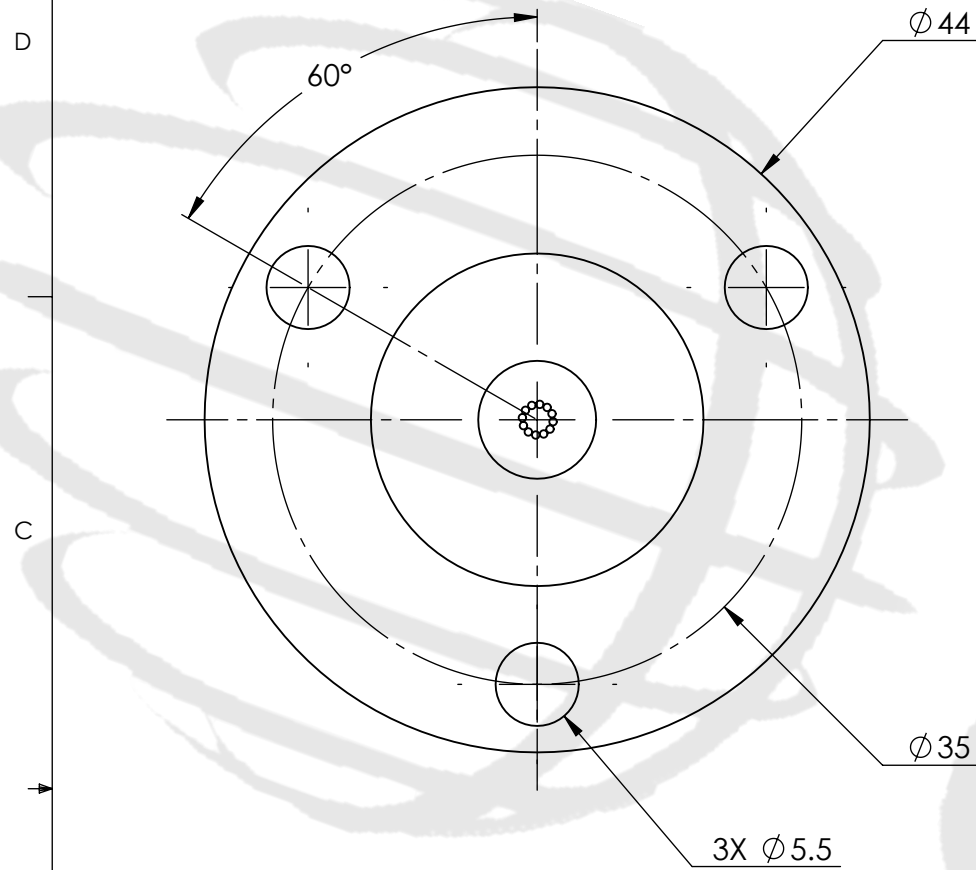


REVISIONS			
REV.	DESCRIPTION	DATE	APPROVED
1	Customer Information	1/1/2014	WRH



TECHNICAL DATA

NUMBER OF CIRCUITS	12
RATED VOLTAGE	240 VDC/AC
DIELECTRIC STRENGTH	500VAC@50Hz
RATED CURRENT	2A/RING
NOMINAL SPEED	0-300 RPM
INSULATION RESISTANCE	1000 MΩ/500VDC
DYNAMIC CONTACT RESISTANCE	<10 mΩ
CONTACT MATERIAL SURFACE	GOLD-GOLD
LEAD	26 AWG, COLOR CODE, SILVER PLATED, PTFE INSULATED LEAD WIRES
STANDARD LEAD LENGTH	250MM
TEMPERATURE	-20°C to + 80°C
BEARINGS	MINIATURE, PRECISION STEEL BEARINGS
HOUSING	ABS PLASTIC
PROTECTION	IP51

WIRE COLOR CODE

1. RED	7. BLUE
2. GREEN	8. DARK BLUE
3. YELLOW	9. BROWN
4. PURPLE	10. ORANGE
5. GRAY	11. WHITE
6. BLACK	12. KHAKI

UNLESS OTHERWISE SPECIFIED:

DRAWING SYMBOLS & TOLERANCES PER ANSI Y14.5
DIMENSIONS ARE METRIC
TOLERANCES:
DECIMALS LINEAR ANGULAR
.X ±0.2 ±0.5DEG
.XX ±0.02 ±0.2DEG
.XXX ±0.005 ±0.01DEG

INTERPRET GEOMETRIC TOLERANCING PER: ANSI Y14.5

MATERIAL SEE CHART

FINISH CLEAN

DRAWN MRJ 12/18/2013

 **Orbex Group**

TITLE:
Slip Ring

SIZE PRT. NO. REV
B 322M1-1200 **1**

SCALE: 1:1 SHEET 1 OF 1

THIS DRAWING CONTAINS PROPRIETARY INFORMATION OF THE ORBEX GROUP AND MAY NOT BE IN WHOLE OR IN PART DUPLICATED OR DISCLOSED OR USED FOR MANUFACTURE OF ANY PART DISCLOSED HEREIN WITHOUT WRITTEN PERMISSION OF THE ORBEX GROUP.

CONFIDENTIAL