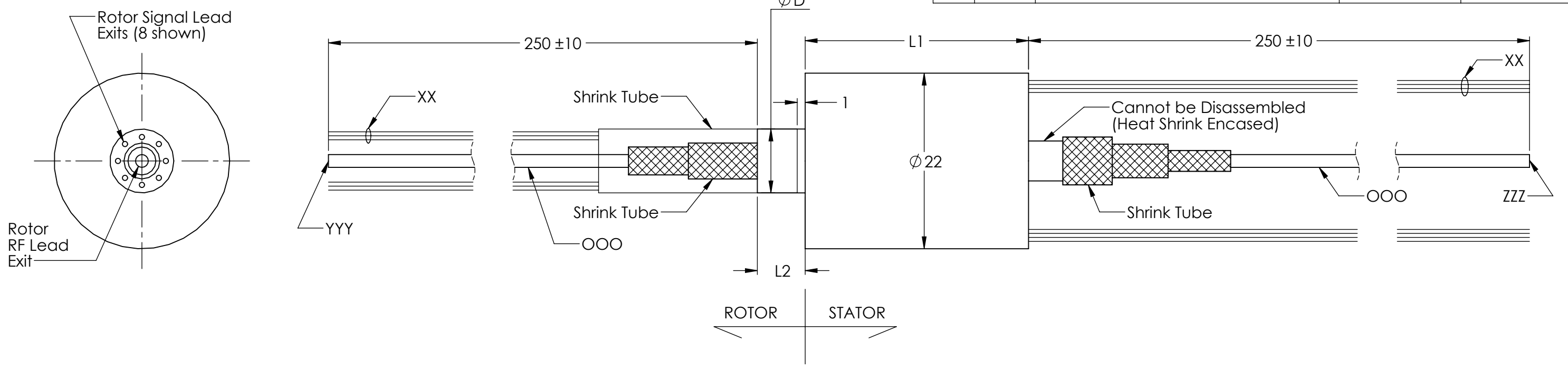
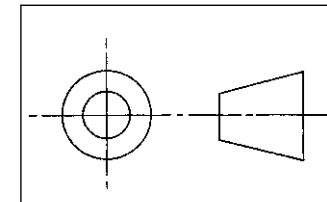


REVISIONS				
ZONE	REV.	DESCRIPTION	DATE	APPROVED
	A	Customer Information	3/13/2015	WRH



322HD Straight Type WW - XX - YYY - ZZZ - 000

Flange Types (WW)	Signal Circuits (XX)	Impedance	RF Connector (Rotor) (YYY)	RF Connector (Stator) (ZZZ)	RF Cable Option (000)				
M1	08 Circuits L1=23.5mm, L2=6mm, D=8mm (D= Approx. 8.8mm with Heat Shrink)	A	50 Ohm	A01	MMCX Male (50 Ohm)	A01	MMCX Male (50 Ohm)	AC1	RG174-1.5 (50 Ohm)
				A02	MMCX Female (50 Ohm)	A02	MMCX Female (50 Ohm)	AC2	RG178-1.5 (50 Ohm)
				A03	MMCX Male Right Angle (50 Ohm)	A03	MMCX Male Right Angle (50 Ohm)	AC3	RG316-1.5 (50 Ohm)
				A04	MMCX Female Right Angle (50 Ohm)	A04	MMCX Female Right Angle (50 Ohm)	AC4	RG174-1.5C-2V (50 Ohm)
				A05	SMA Male (50 Ohm)	A05	SMA Male (50 Ohm)		
				A06	SMA Male Right Angle (50 Ohm)	A06	SMA Male Right Angle (50 Ohm)		
				A07	SMA Female (50 Ohm)	A07	SMA Female (50 Ohm)		
				A08	SMA Female Right Angle (50 Ohm)	A08	SMA Female Right Angle (50 Ohm)		
				A09	SMB Male (50 Ohm)	A09	SMB Male (50 Ohm)		
				A10	SMB Male Right Angle (50 Ohm)	A10	SMB Male Right Angle (50 Ohm)		
				A11	SMB Female (50 Ohm)	A11	SMB Female (50 Ohm)		
				A12	SMB Female Right Angle (50 Ohm)	A12	SMB Female Right Angle (50 Ohm)		
				A13	MCX Male (50 Ohm)	A13	MCX Male (50 Ohm)		
				A14	MCX Male Right Angle (50 Ohm)	A14	MCX Male Right Angle (50 Ohm)		
				A15	MCX Female (50 Ohm)	A15	MCX Female (50 Ohm)		
				A16	MCX Female Right Angle (50 Ohm)	A16	MCX Female Right Angle (50 Ohm)		
				A17	BNC Male (50 Ohm)	A17	BNC Male (50 Ohm)		
				A18	BNC Male Right Angle (50 Ohm)	A18	BNC Male Right Angle (50 Ohm)		
				A19	BNC Female (50 Ohm)	A19	BNC Female (50 Ohm)		
				A20	BNC Female Right Angle (50 Ohm)	A20	BNC Female Right Angle (50 Ohm)		
M2	12 Circuits L1=28mm, L2=6mm, D=8mm (D= Approx. 8.8mm with Heat Shrink)	B	75 Ohm	B01	SMB Male (75 Ohm)	B01	SMB Male (75 Ohm)	BC1	RG179-1.5 (75 Ohm)
				B02	SMB Male Right Angle (75 Ohm)	B02	SMB Male Right Angle (75 Ohm)		
				B03	SMB Female (75 Ohm)	B03	SMB Female (75 Ohm)		
				B04	SMB Female Right Angle (75 Ohm)	B04	SMB Female Right Angle (75 Ohm)		
				B05	MCX Male (75 Ohm)	B05	MCX Male (75 Ohm)		
				B06	MCX Male Right Angle (75 Ohm)	B06	MCX Male Right Angle (75 Ohm)		
				B07	MCX Female (75 Ohm)	B07	MCX Female (75 Ohm)		
				B08	MCX Female Right Angle (75 Ohm)	B08	MCX Female Right Angle (75 Ohm)		
				B09	BNC Male (75 Ohm)	B09	BNC Male (75 Ohm)		
				B10	BNC Male Right Angle (75 Ohm)	B10	BNC Male Right Angle (75 Ohm)		
				B11	BNC Female (75 Ohm)	B11	BNC Female (75 Ohm)		
				B12	BNC Female Right Angle (75 Ohm)	B12	BNC Female Right Angle (75 Ohm)		
M3 (No Flange)	18 Circuits L1=38mm, L2=6.8mm, D=8.8mm (D= Approx. 9.6mm with Heat Shrink)								



THIS DRAWING CONTAINS PROPRIETARY INFORMATION OF THE ORBEX GROUP AND MAY NOT BE IN WHOLE OR IN PART DUPLICATED OR DISCLOSED OR USED FOR MANUFACTURE OF ANY PART DISCLOSED HEREIN WITHOUT WRITTEN PERMISSION OF THE ORBEX GROUP.

CONFIDENTIAL

UNLESS OTHERWISE SPECIFIED:
DRAWING SYMBOLS & TOLERANCES PER ANSI Y14.5
DIMENSIONS ARE METRIC
TOLERANCES:
DECIMALS LINEAR ANGULAR
.X ±0.2 ±0.5DEG
.XX ±0.02 ±0.2DEG
.XXX ±0.005 ±0.01DEG

INTERPRET GEOMETRIC TOLERANCING PER: ANSI Y14.5
MATERIAL SEE CHART P.2
FINISH CLEAN

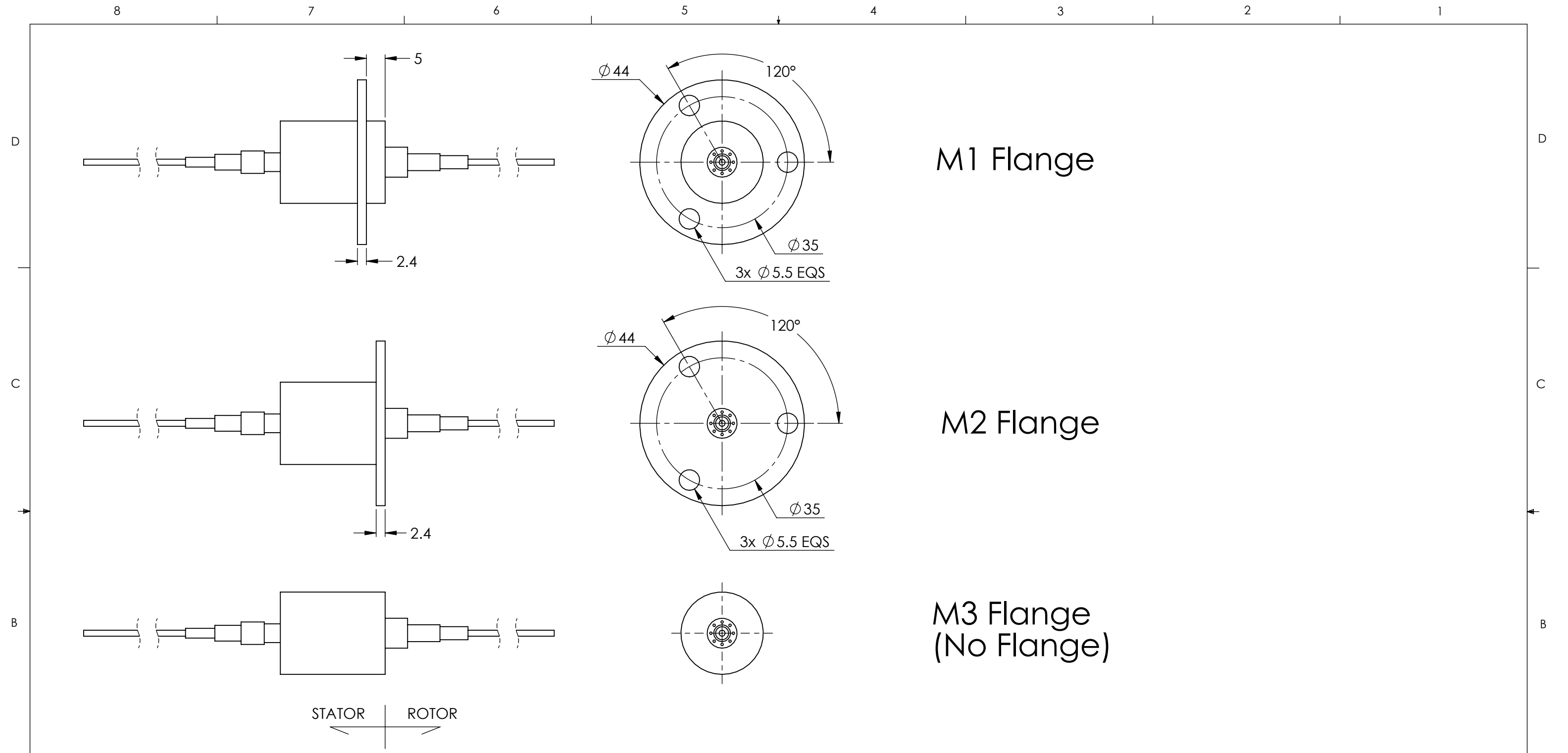
DRAWN MRJ 3/13/2015



TITLE:
322HD Straight Type

SIZE PRT. NO. REV
B SEE CHART **CI**

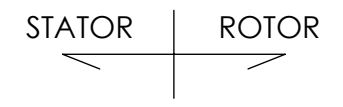
SCALE: 2:1 SHEET 1 OF 2



M1 Flange

M2 Flange

M3 Flange
(No Flange)



TECHNICAL DATA

NUMBER OF CIRCUITS	8, 12, or 18 Rings + 1 RF
RATED VOLTAGE	240 VAC/VDC
DIELECTRIC STRENGTH	500VAC@50Hz, 60s
RATED CURRENT	2A/RING (Signal Leads)
NOMINAL SPEED	0-250 RPM
INSULATION RESISTANCE	≥1000 MΩ/500VDC
DYNAMIC CONTACT RESISTANCE	<10 mΩ
CONTACT MATERIAL SURFACE	PRECIOUS METALS
SIGNAL LEADS	26 AWG, COLOR CODE, TIN PLATED, PTFE INSULATED LEAD WIRES
STANDARD LEAD LENGTH	250mm
TEMPERATURE	-20°C to + 80°C
BEARINGS	MINIATURE, PRECISION STEEL BEARINGS
HOUSING	ABS PLASTIC
PROTECTION	IP51

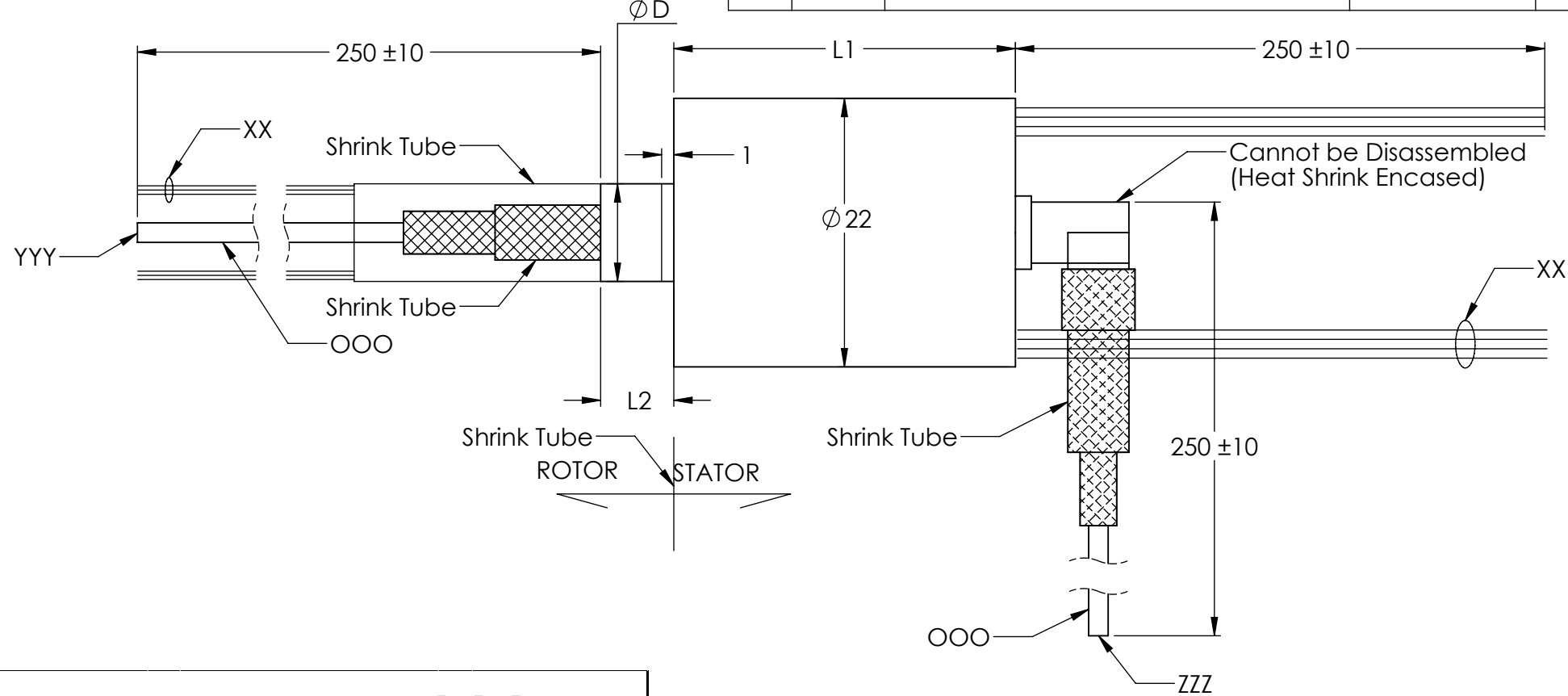
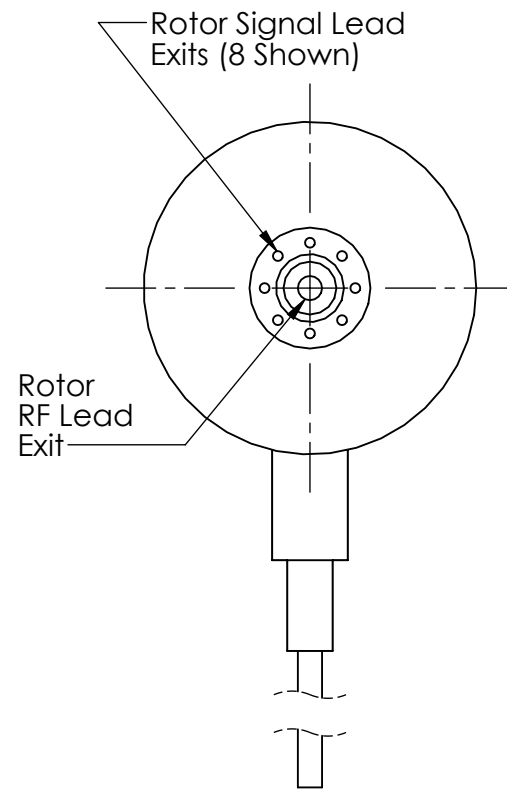
THIS DRAWING CONTAINS PROPRIETARY INFORMATION OF THE ORBEX GROUP AND MAY NOT BE IN WHOLE OR IN PART DUPLICATED OR DISCLOSED OR USED FOR MANUFACTURE OF ANY PART DISCLOSED HEREIN WITHOUT WRITTEN PERMISSION OF THE ORBEX GROUP.
CONFIDENTIAL



TITLE:
322HD Straight Type

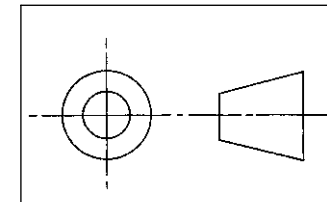
SIZE B	PRT. NO. See Chart On Page 1	REV CI
SCALE: 1:1	SHEET 2 OF 2	

REVISIONS				
ZONE	REV.	DESCRIPTION	DATE	APPROVED
	A	Customer Information	3/13/2015	WRH



322HDR WW - XXXX - YYY - ZZZ - CCC

Flange Types (WW)	Signal Circuits (XXXX)	Impedance	RF Connector (Rotor) (YYY)	RF Connector (Stator) (ZZZ)	RF Cable Option (CCC)
M1	0800 (8 Signal Circuits, 0 Power Circuits) (L1=23.5mm, L2=6mm, D=8mm)	A 50 Ohm	A01 MMCX Male (50 Ohm)	A01 MMCX Male (50 Ohm)	AC1 RG174-1.5 (50 Ohm)
			A02 MMCX Female (50 Ohm)	A02 MMCX Female (50 Ohm)	AC2 RG178-1.5 (50 Ohm)
			A03 MMCX Male Right Angle (50 Ohm)	A03 MMCX Male Right Angle (50 Ohm)	AC3 RG316-1.5 (50 Ohm)
			A04 MMCX Female Right Angle (50 Ohm)	A04 MMCX Female Right Angle (50 Ohm)	AC4 RG174-1.5C-2V (50 Ohm)
			A05 SMA Male (50 Ohm)	A05 SMA Male (50 Ohm)	
			A06 SMA Male Right Angle (50 Ohm)	A06 SMA Male Right Angle (50 Ohm)	
			A07 SMA Female (50 Ohm)	A07 SMA Female (50 Ohm)	
			A08 SMA Female Right Angle (50 Ohm)	A08 SMA Female Right Angle (50 Ohm)	
			A09 SMB Male (50 Ohm)	A09 SMB Male (50 Ohm)	
			A10 SMB Male Right Angle (50 Ohm)	A10 SMB Male Right Angle (50 Ohm)	
			A11 SMB Female (50 Ohm)	A11 SMB Female (50 Ohm)	
			A12 SMB Female Right Angle (50 Ohm)	A12 SMB Female Right Angle (50 Ohm)	
M2	1200 (12 Signal Circuits, 0 Power Circuits) (L1=28mm, L2=6mm, D=8mm)	A 50 Ohm	A13 MCX Male (50 Ohm)	A13 MCX Male (50 Ohm)	
			A14 MCX Male Right Angle (50 Ohm)	A14 MCX Male Right Angle (50 Ohm)	
			A15 MCX Female (50 Ohm)	A15 MCX Female (50 Ohm)	
			A16 MCX Female Right Angle (50 Ohm)	A16 MCX Female Right Angle (50 Ohm)	
			A17 BNC Male (50 Ohm)	A17 BNC Male (50 Ohm)	
			A18 BNC Male Right Angle (50 Ohm)	A18 BNC Male Right Angle (50 Ohm)	
			A19 BNC Female (50 Ohm)	A19 BNC Female (50 Ohm)	
			A20 BNC Female Right Angle (50 Ohm)	A20 BNC Female Right Angle (50 Ohm)	
M3 (No Flange)	1800 (18 Signal Circuits, 0 Power Circuits) (L1=38mm, L2=6.8mm, D=8.8mm)	B 75 Ohm	B01 SMB Male (75 Ohm)	B01 SMB Male (75 Ohm)	BC1 RG179-1.5 (75 Ohm)
			B02 SMB Male Right Angle (75 Ohm)	B02 SMB Male Right Angle (75 Ohm)	
			B03 SMB Female (75 Ohm)	B03 SMB Female (75 Ohm)	
			B04 SMB Female Right Angle (75 Ohm)	B04 SMB Female Right Angle (75 Ohm)	
			B05 MCX Male (75 Ohm)	B05 MCX Male (75 Ohm)	
			B06 MCX Male Right Angle (75 Ohm)	B06 MCX Male Right Angle (75 Ohm)	
			B07 MCX Female (75 Ohm)	B07 MCX Female (75 Ohm)	
			B08 MCX Female Right Angle (75 Ohm)	B08 MCX Female Right Angle (75 Ohm)	
			B09 BNC Male (75 Ohm)	B09 BNC Male (75 Ohm)	
			B10 BNC Male Right Angle (75 Ohm)	B10 BNC Male Right Angle (75 Ohm)	
			B11 BNC Female (75 Ohm)	B11 BNC Female (75 Ohm)	
			B12 BNC Female Right Angle (75 Ohm)	B12 BNC Female Right Angle (75 Ohm)	



THIS DRAWING CONTAINS PROPRIETARY INFORMATION OF THE ORBEX GROUP AND MAY NOT BE IN WHOLE OR IN PART DUPLICATED OR DISCLOSED OR USED FOR MANUFACTURE OF ANY PART DISCLOSED HEREIN WITHOUT WRITTEN PERMISSION OF THE ORBEX GROUP.

CONFIDENTIAL

UNLESS OTHERWISE SPECIFIED:
DRAWING SYMBOLS & TOLERANCES PER ANSI Y14.5
DIMENSIONS ARE METRIC
TOLERANCES:
DECIMALS LINEAR ANGULAR
.X ±0.2 ±0.5DEG
.XX ±0.02 ±0.2DEG
.XXX ±0.005 ±0.01DEG

INTERPRET GEOMETRIC TOLERANCING PER: ANSI Y14.5

MATERIAL: SEE CHART P.2

FINISH: CLEAN

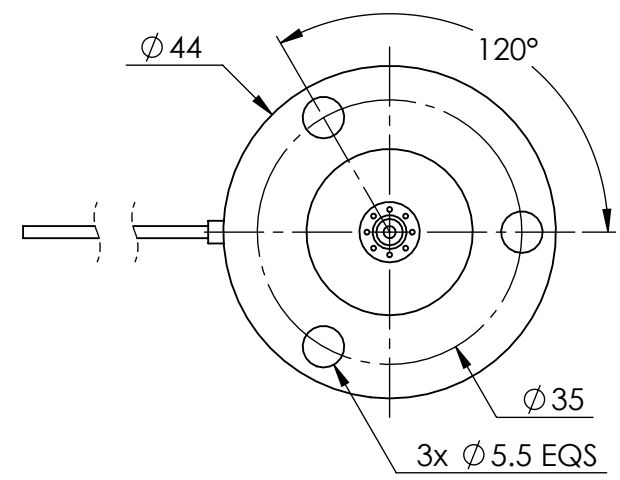
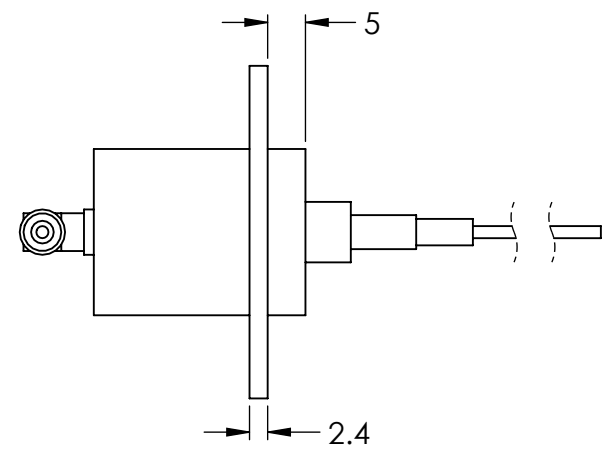
DRAWN: MRJ 3/17/2015



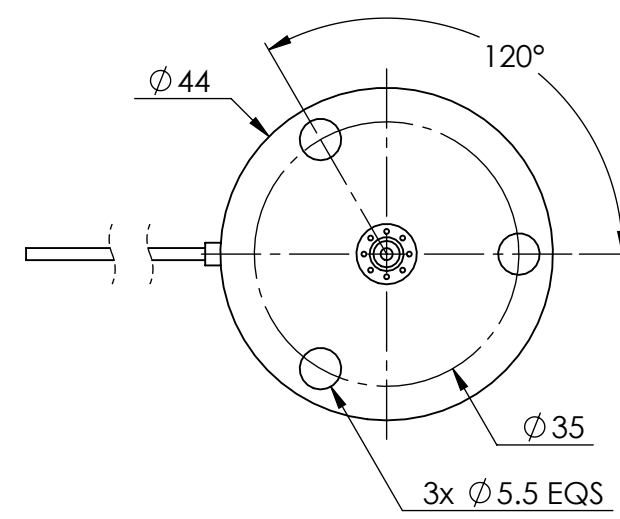
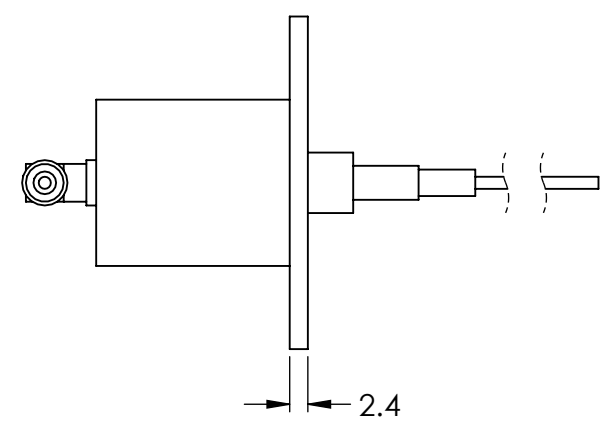
TITLE: 322HD Right Angle Type

SIZE: **B** PRT. NO.: **SEE CHART** REV: **CI**

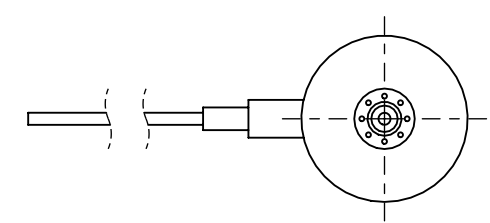
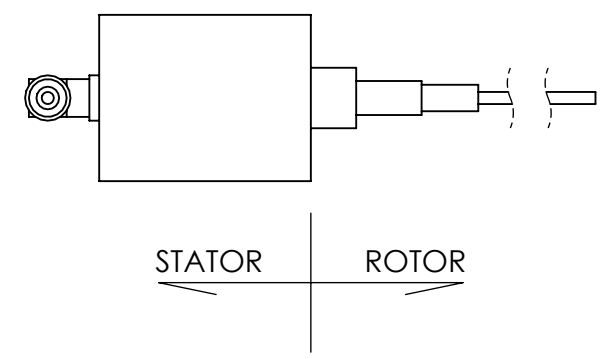
SCALE: 2:1 SHEET 1 OF 2



M1 Flange



M2 Flange



M3 Flange
(No Flange)

TECHNICAL DATA

NUMBER OF CIRCUITS	8, 12, or 18 Rings + 1 RF
RATED VOLTAGE	240 VAC/VDC
DIELECTRIC STRENGTH	500VAC@50Hz, 60s
RATED CURRENT	2A/RING (Signal Leads)
NOMINAL SPEED	0-250 RPM
INSULATION RESISTANCE	≥1000 MΩ/500VDC
DYNAMIC CONTACT RESISTANCE	<10 mΩ
CONTACT MATERIAL SURFACE	PRECIOUS METALS
SIGNAL LEADS	26 AWG, COLOR CODE, TIN PLATED, PTFE INSULATED LEAD WIRES
STANDARD LEAD LENGTH	250mm
TEMPERATURE	-20°C to + 80°C
BEARINGS	MINIATURE, PRECISION STEEL BEARINGS
HOUSING	ABS PLASTIC
PROTECTION	IP51

THIS DRAWING CONTAINS PROPRIETARY INFORMATION OF THE ORBEX GROUP AND MAY NOT BE IN WHOLE OR IN PART DUPLICATED OR DISCLOSED OR USED FOR MANUFACTURE OF ANY PART DISCLOSED HEREIN WITHOUT WRITTEN PERMISSION OF THE ORBEX GROUP.
CONFIDENTIAL



TITLE:
322HD Right Angle Type

SIZE B	PRT. NO. See Chart On Page 1	REV CI
SCALE: 1:1	SHEET 2 OF 2	