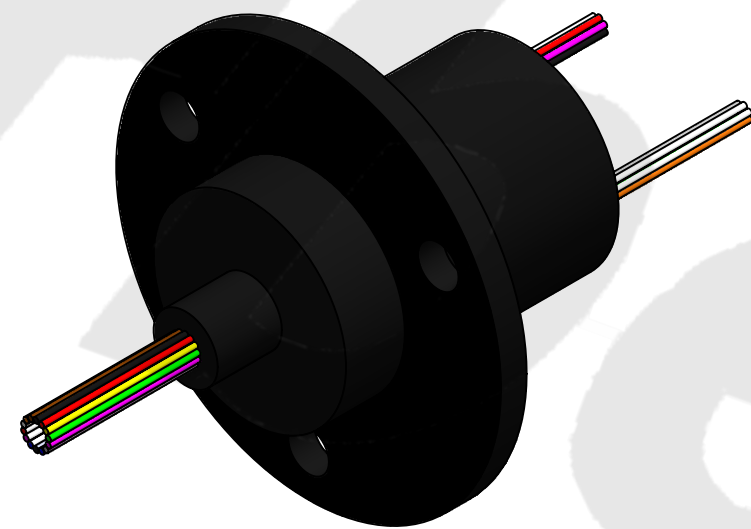
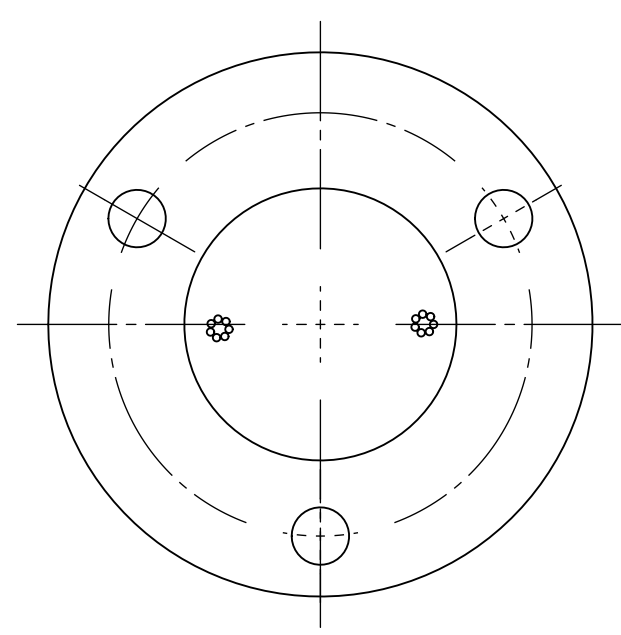
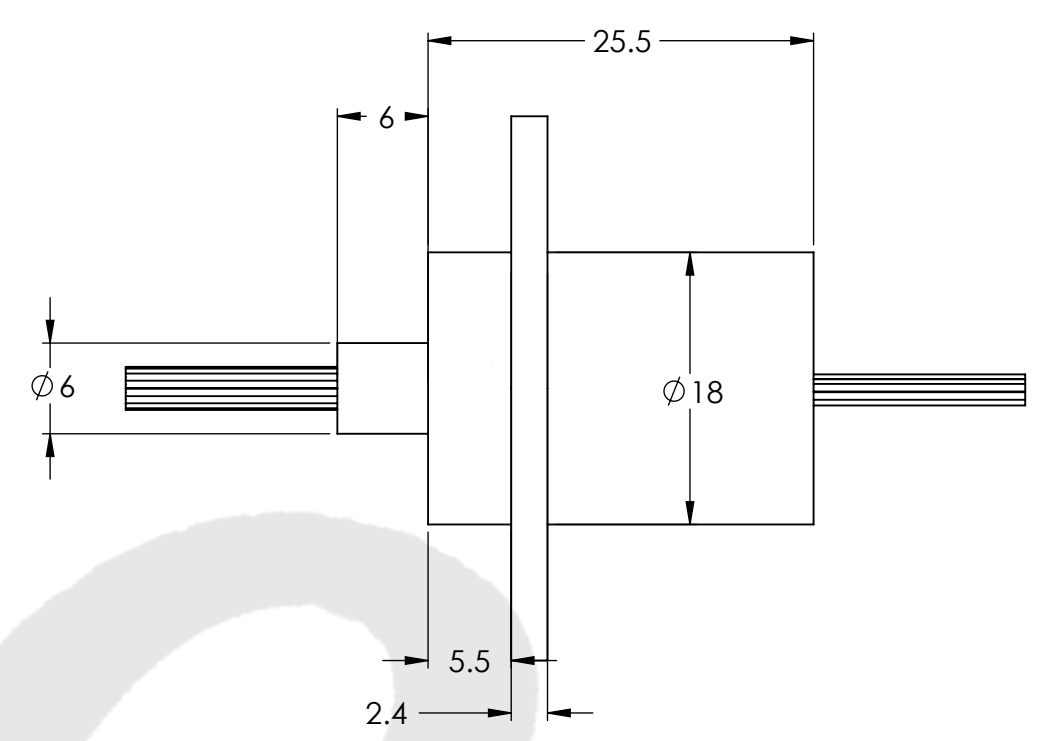
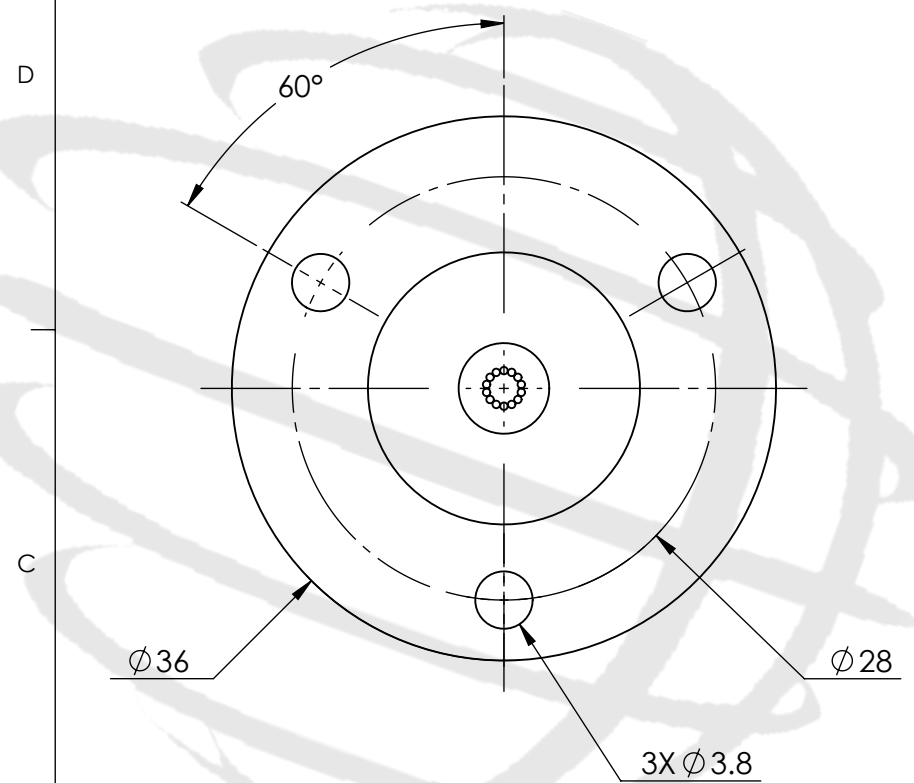


REVISIONS				
ZONE	REV.	DESCRIPTION	DATE	APPROVED
	1	Customer Information	1/1/2014	WRH



TECHNICAL DATA	
NUMBER OF CIRCUITS	14
RATED VOLTAGE	240 VDC/AC
DIELECTRIC STRENGTH	500VAC@50Hz
RATED CURRENT	2A/RING
NOMINAL SPEED	0-300 RPM
INSULATION RESISTANCE	1000 M $\Omega$ /500VDC
DYNAMIC CONTACT RESISTANCE	<10 m $\Omega$
CONTACT MATERIAL SURFACE	GOLD-GOLD
LEAD	28 AWG, COLOR CODE, SILVER PLATED, PTFE INSULATED LEAD WIRES
STANDARD LEAD LENGTH	250 mm
TEMPERATURE	-20°C to + 80°C standard
BEARINGS	MINIATURE, PRECISION STEEL BEARINGS
HOUSING	ABS
PROTECTION	IP51 (IP65 available for some sizes)

WIRE COLOR CODE	
1. RED	2. GREEN
3. YELLOW	4. PURPLE
5. GRAY	6. BLACK
7. BLUE	8. DARK BLUE
9. BROWN	10. ORANGE
11. WHITE	12. KHAKI
13. WHT-RED	14. WHT-BLACK

THIS DRAWING CONTAINS PROPRIETARY INFORMATION OF THE ORBEX GROUP AND MAY NOT BE IN WHOLE OR IN PART DUPLICATED OR DISCLOSED OR USED FOR MANUFACTURE OF ANY PART DISCLOSED HEREIN WITHOUT WRITTEN PERMISSION OF THE ORBEX GROUP.

**CONFIDENTIAL**

UNLESS OTHERWISE SPECIFIED: DRAWING SYMBOLS & TOLERANCES PER ANSI Y14.5 DIMENSIONS ARE METRIC TOLERANCES: DECIMALS    LINEAR    ANGULAR .X            ±0.2            ±0.5DEG .XX          ±0.02          ±0.2DEG .XXX        ±0.005        ±0.01DEG		<b>Orbex Group</b>	
INTERPRET GEOMETRIC TOLERANCING PER: ANSI Y14.5		TITLE: <b>Slip Ring</b>	
MATERIAL SEE CHART	SIZE <b>B</b>	PRT. NO. <b>318M1-1400</b>	REV <b>1</b>
FINISH CLEAN	DRAWN MRJ 3/31/2014	SCALE: 2:1	SHEET 1 OF 1