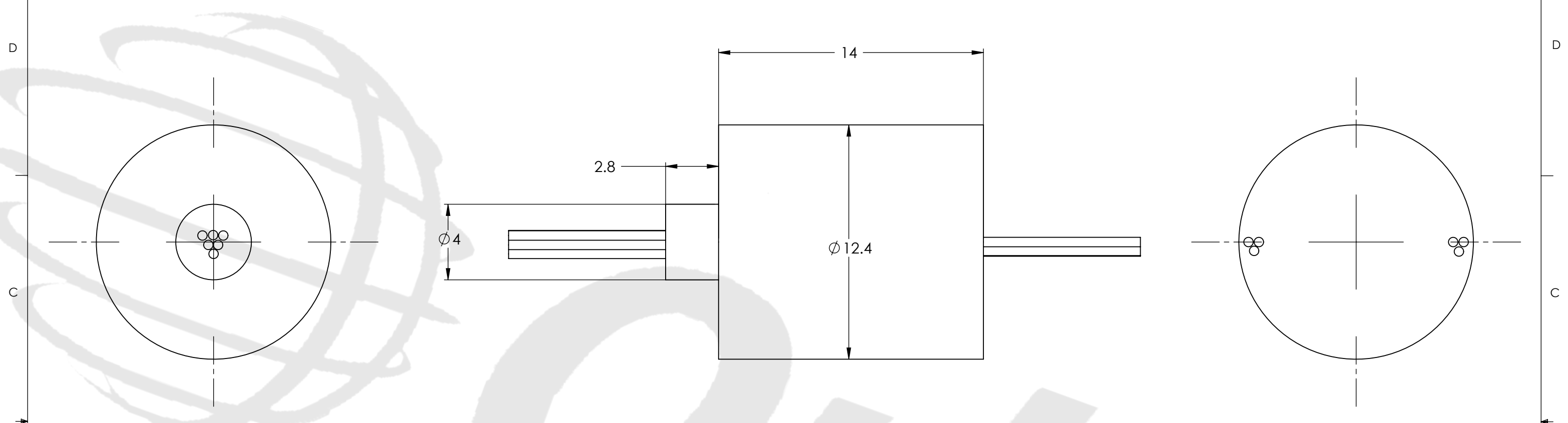
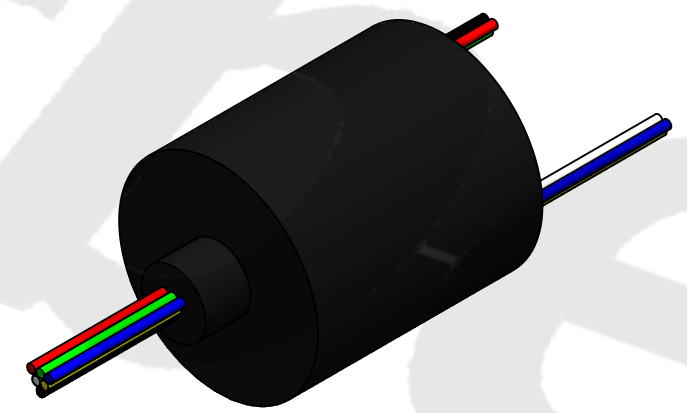


REVISIONS				
ZONE	REV.	DESCRIPTION	DATE	APPROVED
	1	Customer Information	1/1/2014	WRH



TECHNICAL DATA	
NUMBER OF CIRCUITS	6
RATED VOLTAGE	240 VDC/AC
DIELECTRIC ENERGY	500VAC@50Hz
RATED CURRENT	2A/RING
OPERATING SPEED	0-300 RPM
HIGH POT	500VAC/50Hz
INSULATION RESISTANCE	1000 MOHM/500VDC
CONTACT MATERIAL SURFACE	GOLD-GOLD
LEAD	28 AWG, COLOR CODE, SILVER PLATED, PTFE INSULATED LEAD WIRES
STANDARD LEAD LENGTH	250 mm
OPERATING TEMPERATURE	-20°C - + 80°C
BEARINGS	STEEL BEARINGS
HOUSING	ABS PLASTIC
SEALING	IP51

WIRE COLOR CODE	
1. RED	2. YELLOW
3. BLACK	4. BLUE
5. GREEN	6. WHITE



THIS DRAWING CONTAINS PROPRIETARY INFORMATION OF THE ORBEX GROUP AND MAY NOT BE IN WHOLE OR IN PART DUPLICATED OR DISCLOSED OR USED FOR MANUFACTURE OF ANY PART DISCLOSED HEREIN WITHOUT WRITTEN PERMISSION OF THE ORBEX GROUP.

CONFIDENTIAL

UNLESS OTHERWISE SPECIFIED: DRAWING SYMBOLS & TOLERANCES PER ANSI Y14.5 DIMENSIONS ARE METRIC TOLERANCES: DECIMALS LINEAR ANGULAR .X ±0.2 ±0.5DEG .XX ±0.02 ±0.2DEG .XXX ±0.005 ±0.01DEG		Orbex Group	
INTERPRET GEOMETRIC TOLERANCING PER: ANSI Y14.5		TITLE: Slip Ring	
MATERIAL SEE CHART	SIZE B	PRT. NO. 312M3-0600	REV 1
FINISH CLEAN	DRAWN MRJ 4/1/2014	SCALE: 5:1	SHEET 1 OF 1