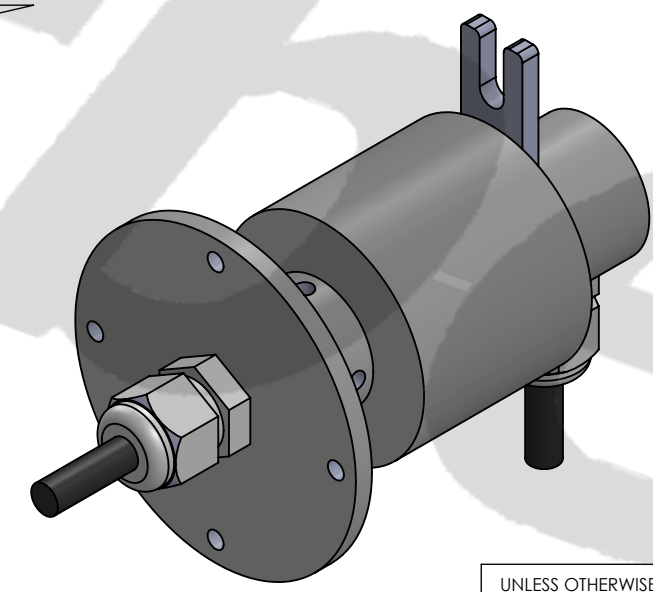
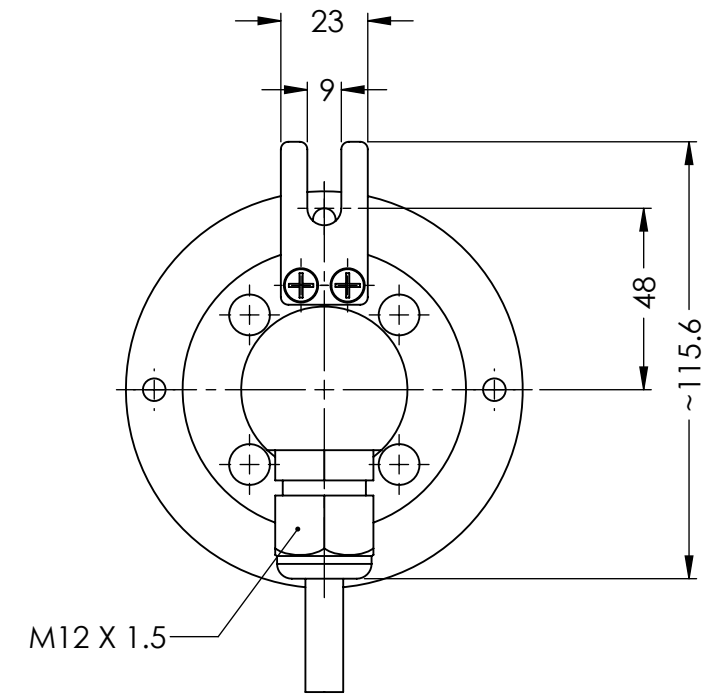
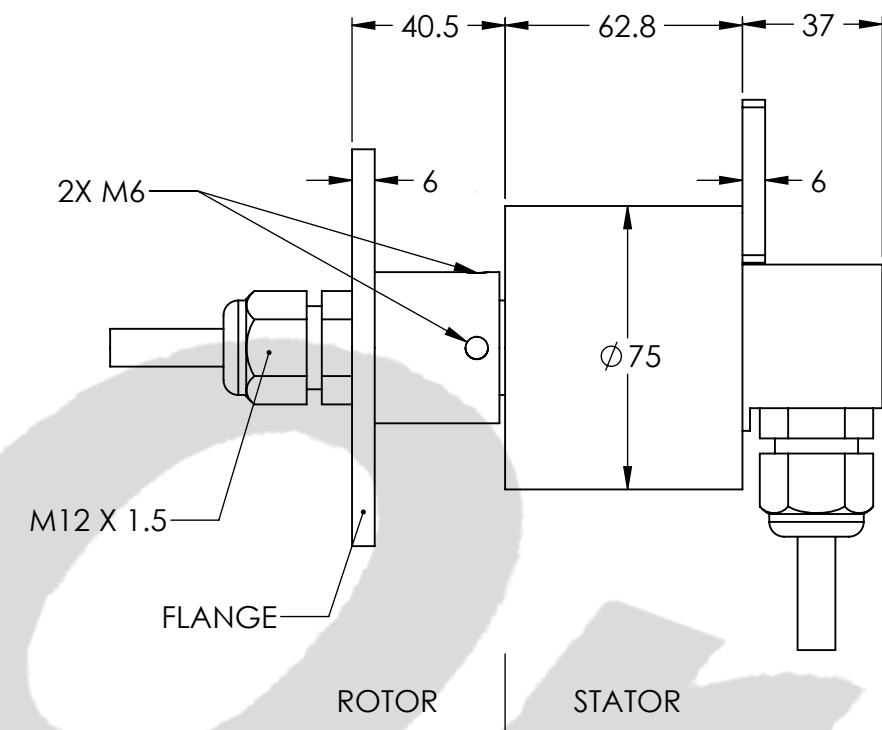
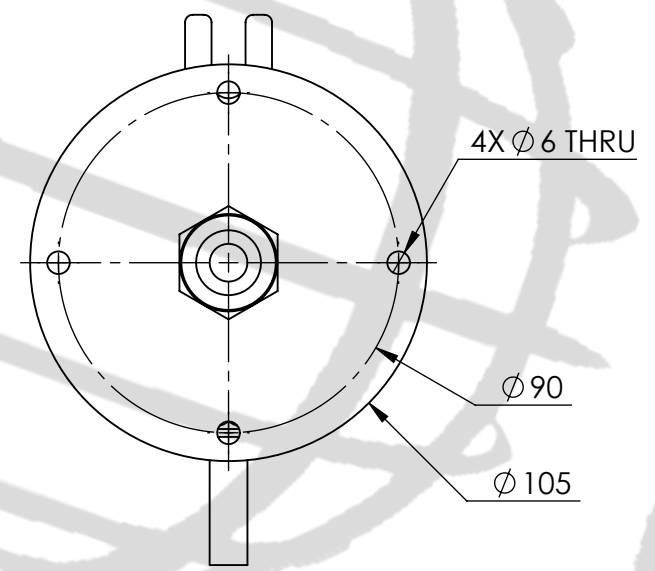


REVISIONS				
ZONE	REV.	DESCRIPTION	DATE	APPROVED
	1	Customer Information	1/1/2014	WRH



TECHNICAL DATA	
NUMBER OF CIRCUITS	6
RATED VOLTAGE	380 VAC/240 VDC
DIELECTRIC STRENGTH	500VAC@50Hz, 60s
RATED CURRENT	5A/RING
OPERATING SPEED	0-500 RPM
INSULATION RESISTANCE	≥1000 MΩ/500VDC
DYNAMIC CONTACT RESISTANCE	<10 mΩ
CONTACT MATERIAL SURFACE	PRECIOUS METALS
LEAD WIRES	AWG 22, COLOR CODED, SILVER PLATED COPPER, PTFE INSULATED WIRE
CABLE	PG GLANDS AND JACKETED CABLE
TEMPERATURE	-20°C to + 80°C
OPERATING HUMIDITY	60%RH OR HIGHER
BEARINGS	MINIATURE, PRECISION STEEL BEARINGS
HOUSING	STAINLESS STEEL
PROTECTION	IP65

WIRE COLOR CODE	
1. RED	2. YELLOW
3. BLACK	4. BLUE
5. GREEN	6. WHITE

THIS DRAWING CONTAINS PROPRIETARY INFORMATION OF THE ORBEX GROUP AND MAY NOT BE IN WHOLE OR IN PART DUPLICATED OR DISCLOSED OR USED FOR MANUFACTURE OF ANY PART DISCLOSED HEREIN WITHOUT WRITTEN PERMISSION OF THE ORBEX GROUP.
CONFIDENTIAL

UNLESS OTHERWISE SPECIFIED: DRAWING SYMBOLS & TOLERANCES PER ANSI Y14.5 DIMENSIONS ARE METRIC TOLERANCES: DECIMALS LINEAR ANGULAR .X ±0.2 ±0.5DEG .XX ±0.02 ±0.2DEG .XXX ±0.005 ±0.01DEG		Orbex Group	
INTERPRET GEOMETRIC TOLERANCING PER: ANSI Y14.5		TITLE: Slip Ring	
MATERIAL SEE CHART	FINISH CLEAN	SIZE B	PRT. NO. 275-0600
DRAWN MRJ	DATE 10/20/2014	SCALE: 1:2	REV 1
SHEET 1 OF 1			